



SPARE PARTS EXPLODED VIEW GAS WALL BOILERS

Model

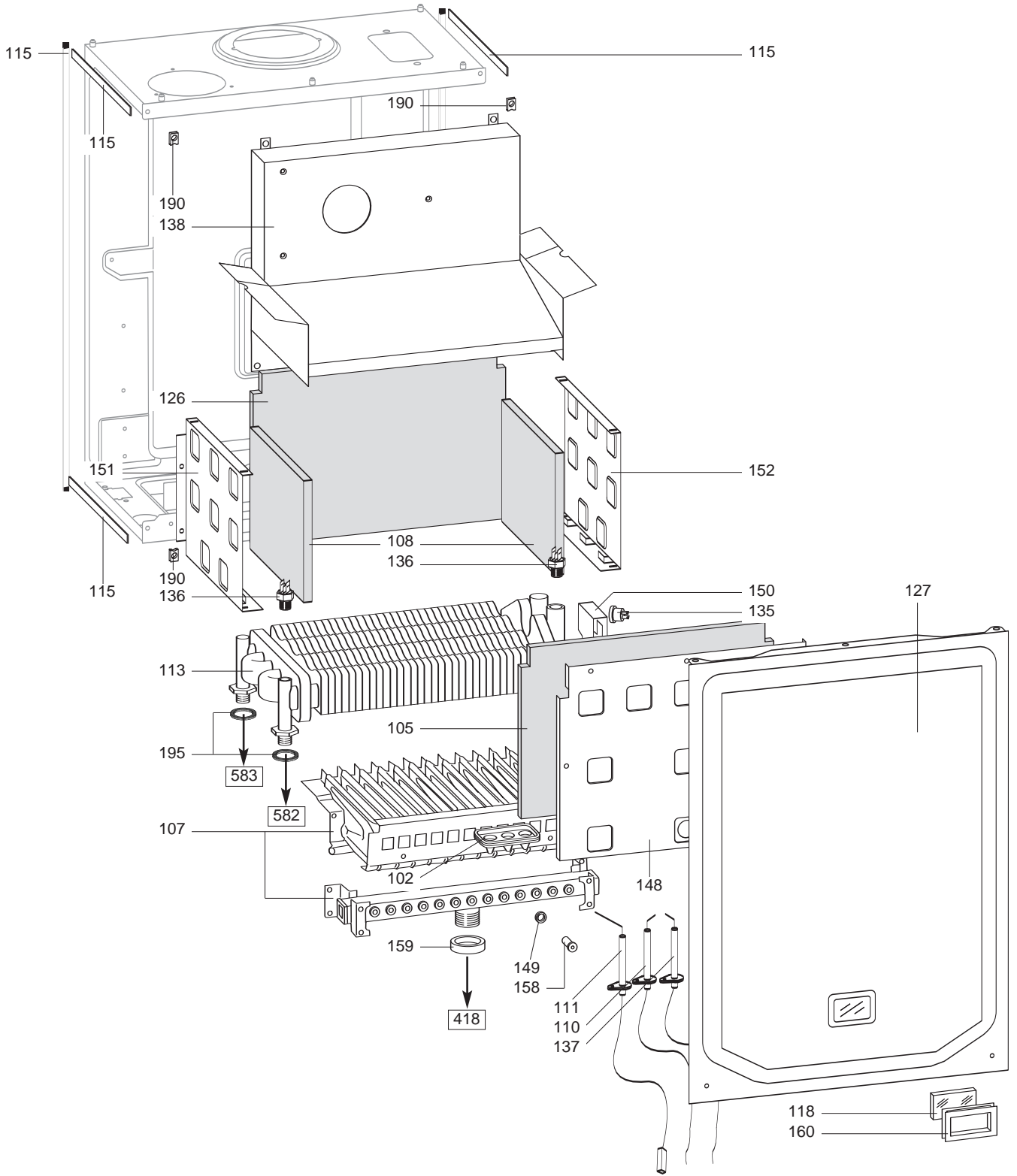
TX

R8215401-01EN - Edition 01 - 01/05/2006

TX

Domestic Gas Boilers

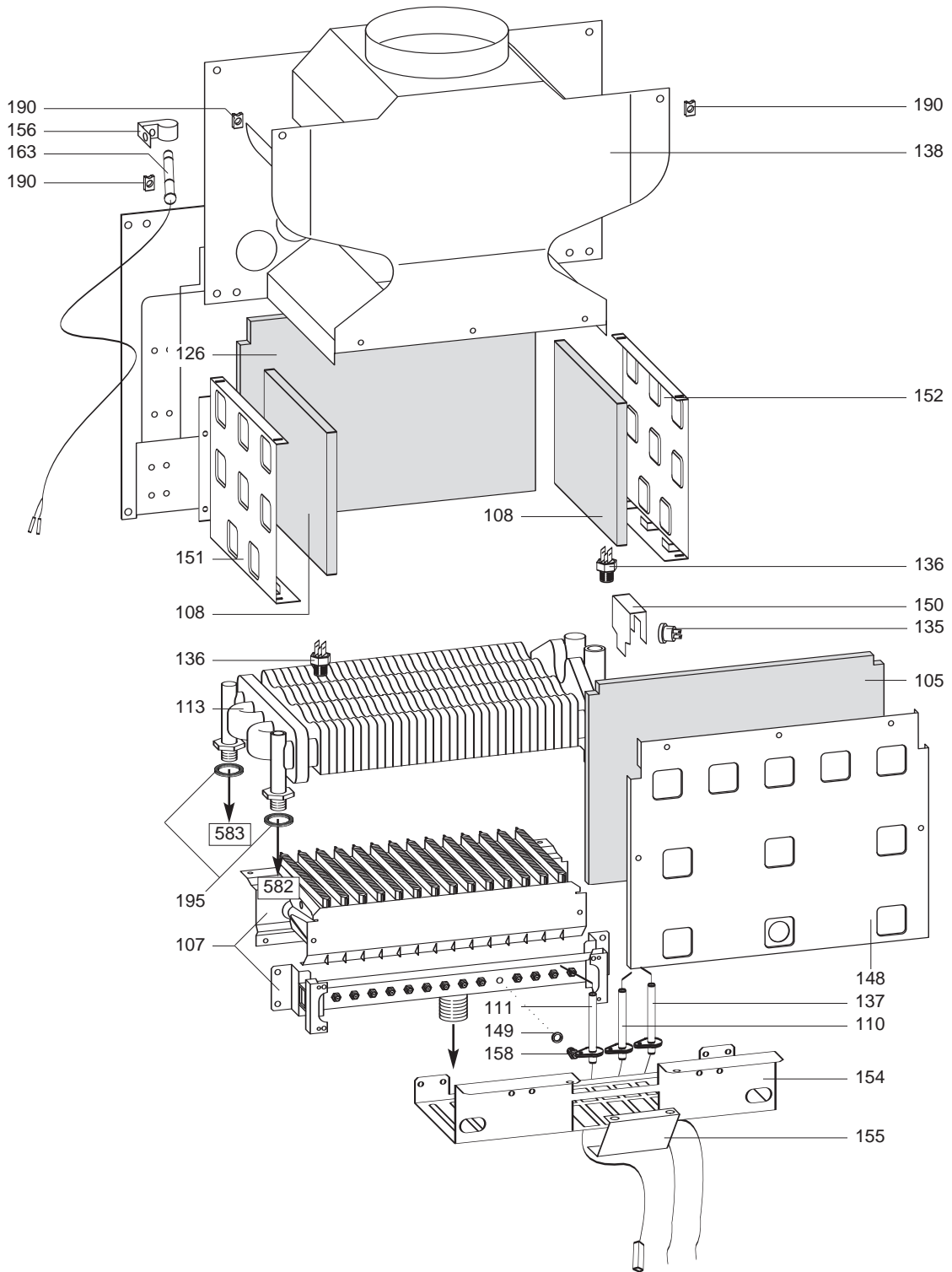
535700		TX 23 MFFI NG
537824		TX 23 MFFI EAA NG ARISTON
535965		TX 23 MFFI NG RADI
535708		EUROCOMBI 23 MFFI NG
3300012		TX 27 MFFI EAA NG
535699		TX 23 MI NG
537823		TX 23 MI EAA NG ARISTON
535964		TX 23 MI NG RADI
535707		EUROCOMBI 23 MI NG
Reference	Ind.	Model type	Begin	End

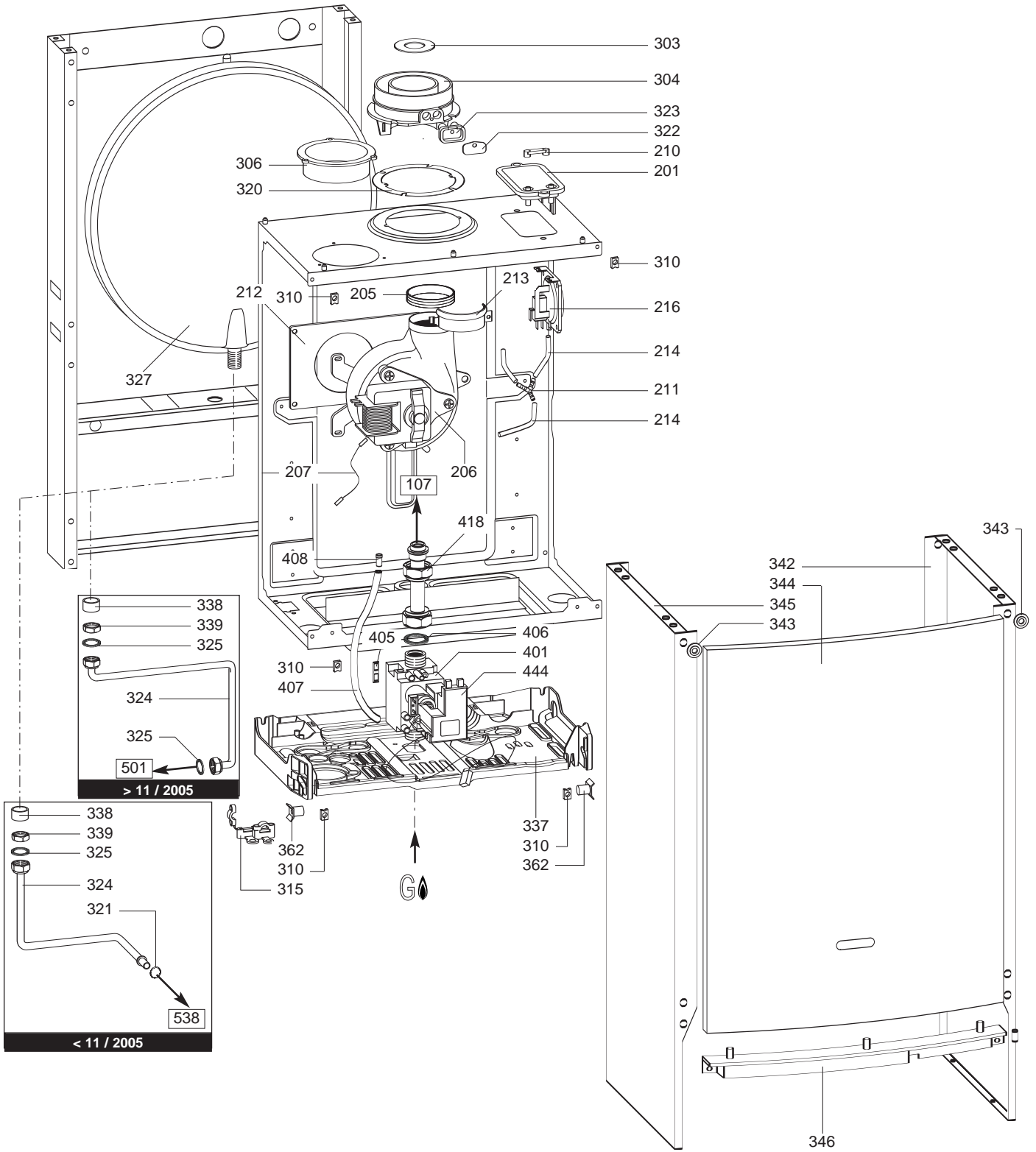


Key N	Description	Manf. Pt. N	Other	Type	MFFI			Manf. date	
					23	27	23	MI	from
0100	SEALED CASE								
0102	IGNITION ELECTRODE CABLE RUBBER	998147			●	●			
0105	PANEL (INSULATION - FRONT)	995995			●	●			
0107	BURNER	995991		NG		●			
	BURNER	996158		NG	●				
0108	PANEL (INSULATION - SIDE)	998639			●	●			
0110	ELECTRODE (IGNITION L.H.)	65100250			●	●			
0111	ELECTRODE (DETECTION)	998624			●	●			
0113	EXCHANGER (TWIN PASS)	998619			●	●			
0115	GASKET (ADHESIVE - 10x6 MM)	65100879			●				08/04
	GASKET (ADHESIVE - 14X6 MM)	65102772			●	●		09/04	
0118	SIGHT GLASS	998075			●	●			
0126	PANEL (INSULATION - REAR)	998640			●	●			
0127	ANEL (FRONT - SEALED CHAMBER)	65101606			●	●			
0135	THERMOSTAT	996065			●	●			
0136	TEMPERATURE PROBE (D.H.W.)	998458			●	●			
0137	ELECTRODE (IGNITION R.H.)	65100251			●	●			
0138	FLUE HOOD	65102262			●	●		12/03	
	FLUE HOOD	999385			●				11/03
0148	FRONT PANEL	65100555			●	●			
0149	BURNER JET WASHER	572138			●	●			
0150	FIXING SPRING (OVERHEAT THERMOSTAT)	998582			●	●			
0151	PANEL (L.H. SIDE)	65100298				●			
	PANEL (L.H. SIDE)	995893			●				
0152	PANEL (R.H. SIDE)	995892			●				
	PANEL (R.H.SIDE)	990707				●			
0158	BURNER JET (NG 1.30)	998433		NG	●	●			
0159	SILICONE SEAL	569443			●	●			
0160	GASKET (SIGHT GLASS)	998076			●	●			
0190	SPRING (FASTENING)	570717			●				
0195	GASKET 1/2	573528			●	●			

TX

Domestic Gas Boilers

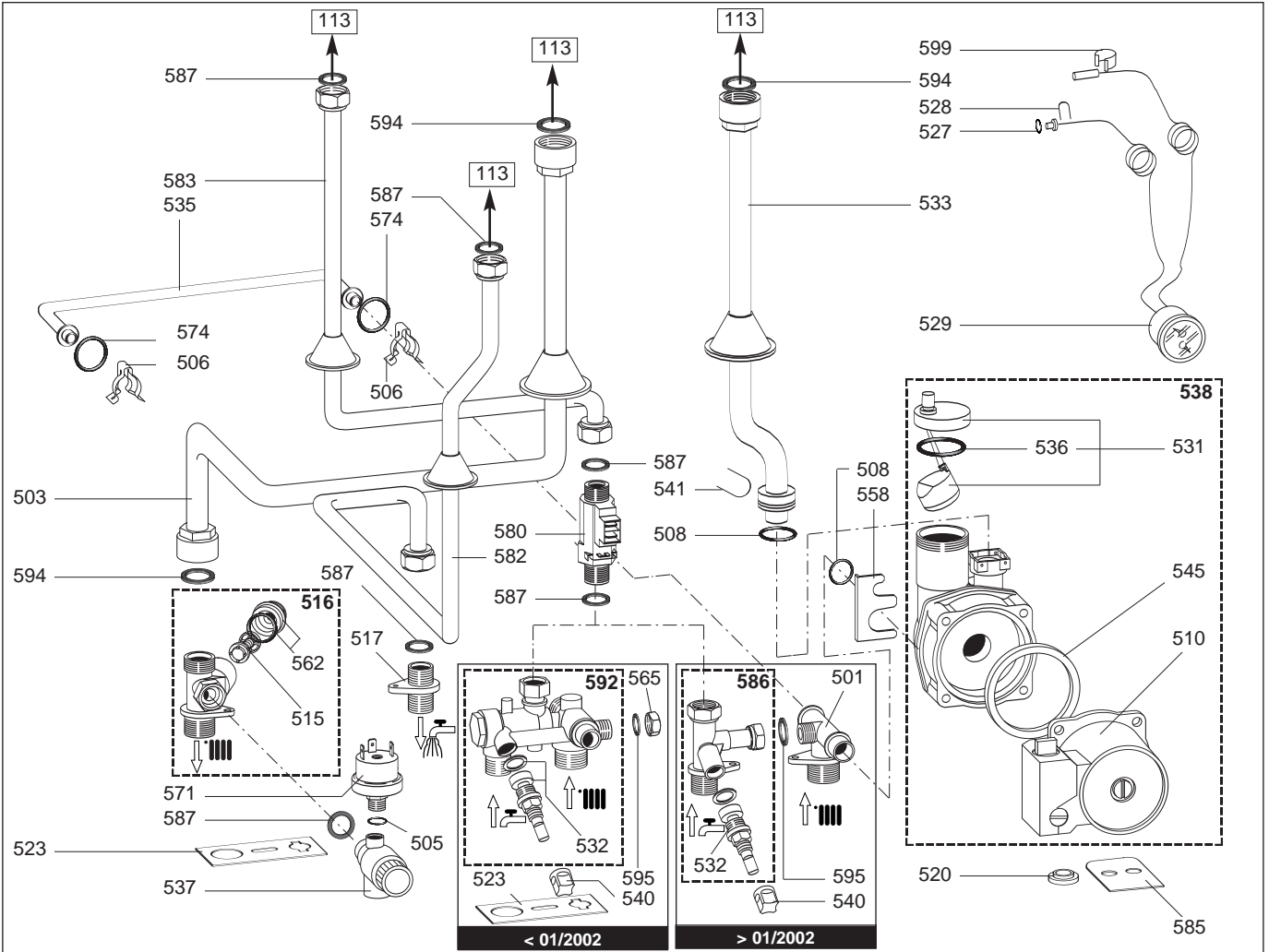




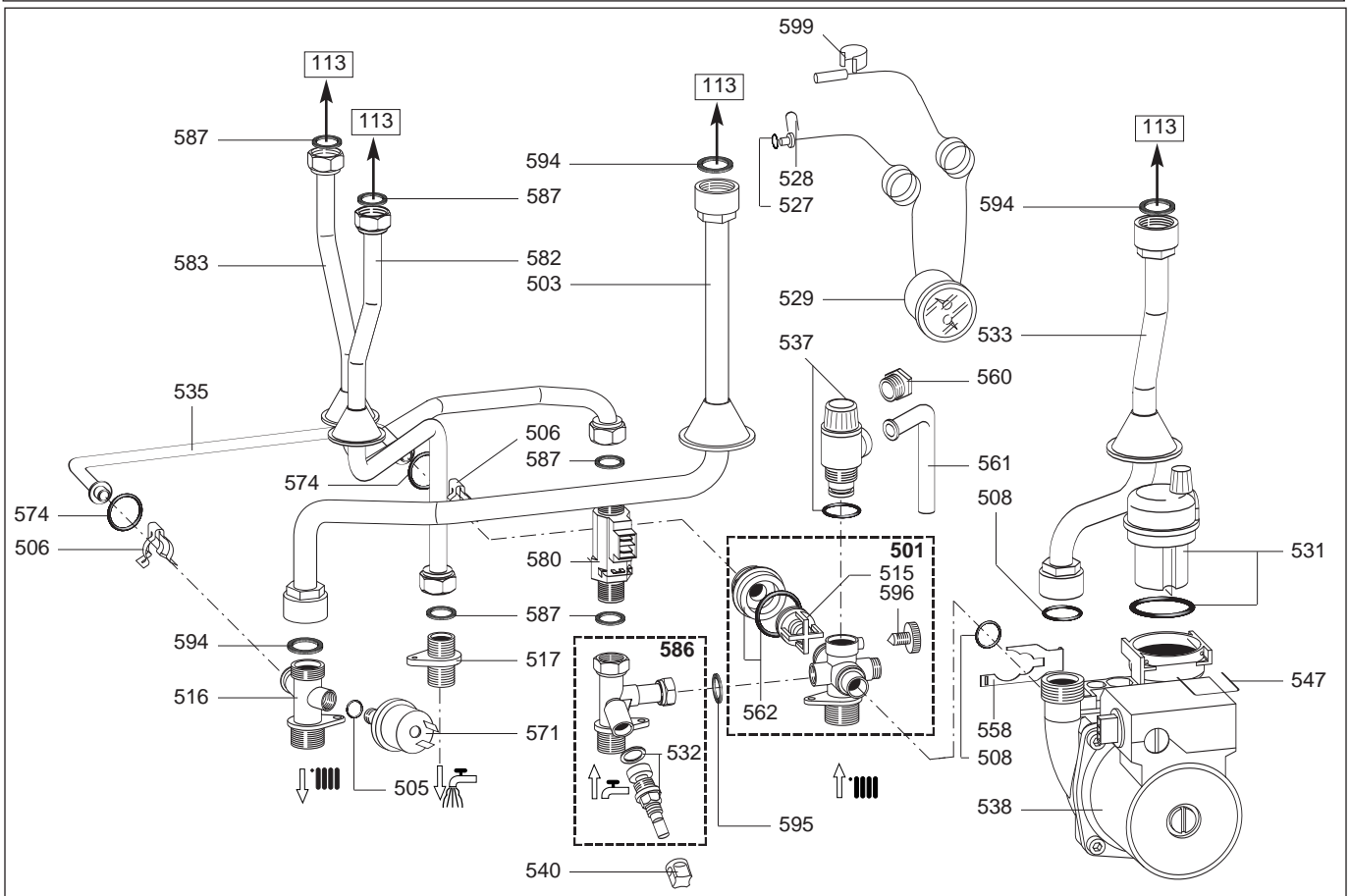
Key N	Description	Manf. Pt. N	Other	Type	MFFI			Manf. date		
					23	27	23	MI	from	to
0200	FAN ASSEMBLY									
0201	SUPPORT PLATE	997203			•	•				
0205	GASKET (FAN)	65100707			•	•				
0206	FAN	998894				•				
	FAN	999397			•					
0207	EARTH CABLE (FAN)	65102263				•				
	EARTH CABLE (FAN)	65102263			•			05/04		
	EARTH CABLE (FAN)	999925			•				04/04	
0210	PRESSURE INTAKE COVER	573329			•	•				
0211	Y PIECE (AIR PRESSURE)	573327			•	•				
0212	PANEL (INSULATION - FAN)	999135			•	•				
0213	FIXING CLAMP (FAN)	998566			•	•				
0214	COMPENSATION TUBE	573576			•	•				
0216	AIR PRESSURE SWITCH	571651			•	•				
	AIR PRESSURE SWITCH	998484			•					
0300	CHASSIS-FRONT CASE									
0303	RESTRICTOR (D= 45)	998113			•	•				
	RESTRICTOR (D=43)	999980			•	•				
0304	FLUE (EXHAUST MANIFOLD / HEADER)	999561			•	•				
0306	PLUG (AIR INTAKE)	998595			•	•				
0310	SPRING (FASTENING)	570717			•	•	•			
0315	CABLE HOLDER	998580			•	•	•			
0320	GASKET (FLUE COLLAR)	998637			•	•				
0321	O-RING	998077			•	•	•		10/05	
0322	COVER (FLUE TEST POINT)	998565			•	•				
0323	GASKET (FLUE TEST POINT)	998636			•	•				
0324	PIPE (EXPANSION VESSEL)	65100681			•	•	•	11/05		
	PIPE (EXPANSION VESSEL)	999525			•	•	•		10/05	
0325	GASKET 3/8	573521			•	•	•			
0327	EXPANSION VESSEL	998616			•	•	•			
0338	BUSH (EXPANSION VESSEL)	998776			•	•	•			
0339	3/8 LOCK NUT	998581			•	•	•			
0342	CASE PANEL (R.H. SIDE)	65100301				•				
	CASE PANEL (R.H. SIDE)	65102557					•			
	CASE PANEL (R.H. SIDE)	998476			•					
0343	WASHER	995305			•	•	•			
0344	CASE PANEL (FRONT)	998442			•	•	•			
0345	CASE PANEL (L.H. SIDE)	65100300				•				
	CASE PANEL (L.H. SIDE)	65102558					•	11/04		
	CASE PANEL (L.H. SIDE)	998477			•					
	CASE PANEL (L.H. SIDE)	998695					•		10/04	
0346	FRONT PANEL CROSSBAR	991944			•	•	•			
0362	PIVOT	995492			•	•	•			
0400	GAS SECTION									
0401	GAS VALVE	997089			•	•	•			
0405	GASKET (SPARK GENERATOR)	574279			•	•	•			
0406	GASKET 3/4	573520			•	•	•			
0407	COMPENSATION TUBE	573576			•	•				
0408	RIVET	573325			•	•				
0418	GAS PIPE	65100432			•	•	•		10/05	
	GAS PIPE	65102552			•	•	•	11/05		
0444	SPARK GENERATOR (KIT)	65100514			•	•	•			

TX

Domestic Gas Boilers



< 11 / 2005

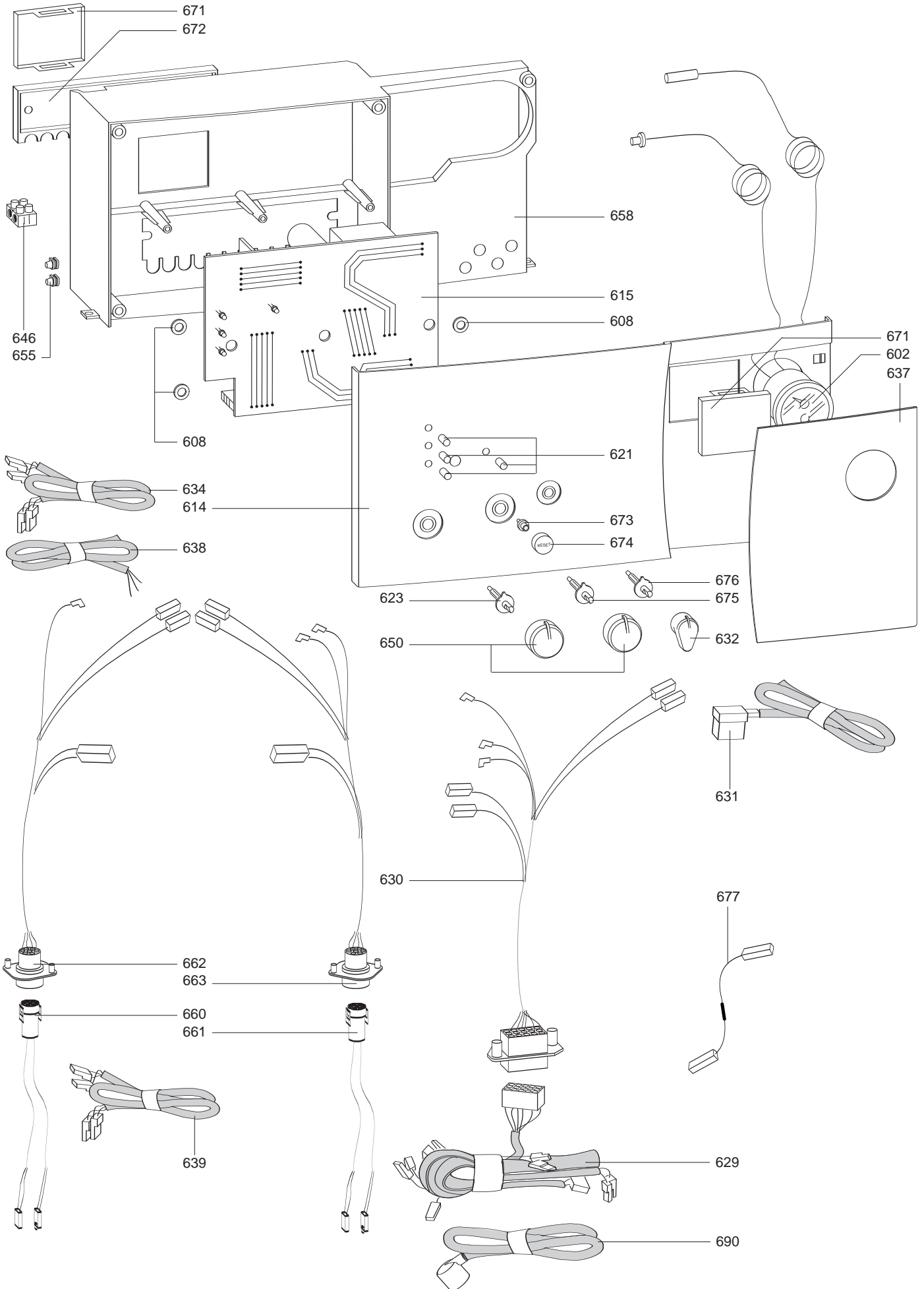


> 11 / 2005

Key N	Description	Manf. Pt. N	Other	Type	MFFI			Manf. date	
					23	27	23	from	to
0500	WATER SECTION ASSY								
0501	RETURN GROUP	65103140			•	•	•	11/05	
	RETURN GROUP	996048			•	•	•	01/02	10/05
	RETURN GROUP	998615			•				12/01
0503	PIPE (C.H. FLOW)	65103135					•	11/05	
	PIPE (C.H. FLOW)	65103169			•	•		11/05	
	PIPE (C.H. FLOW)	998727			•	•			10/05
	PIPE (C.H. FLOW)	998733					•		10/05
0505	GASKET 1/4	569390			•	•	•		
0506	SPRING (BY-PASS PIPE)	998064			•	•	•	01/02	
0508	O-RING	998424			•	•	•		
0510	KIT (MOTOR PUMP)	996615			•	•	•		10/05
0515	BY-PASS	65103163			•	•	•	11/05	
	BY-PASS	996046			•	•	•	01/02	10/05
0516	FLOW GROUP	65103139			•	•	•	11/05	
	FLOW GROUP	996049			•	•	•	01/02	10/05
	FLOW GROUP	998612			•		•		12/01
0517	UNION (HOT WATER OUTLET)	998611			•	•	•		
0520	LOCK WASHER	999100			•	•	•		
0523	GASKET (ANTI-VIBRATION)	999601			•		•		
0527	O-RING	998517			•		•		
0528	U-CLIP	571548			•	•	•		
0529	TEMPERATURE/PRESSURE GAUGE	999520			•	•			
0531	AUTO AIR VENT + O-RING	995367			•	•	•	11/05	
	AUTO AIR VENT + O-RING	998643			•	•	•		10/05
0532	TAP KIT	996071			•	•	•		
0533	PIPE (C.H. RETURN)	65103137					•	11/05	
	PIPE (C.H. RETURN)	65103171			•	•		11/05	
	PIPE (C.H. RETURN)	998731			•	•			10/05
	PIPE (C.H. RETURN)	998734					•		10/05
0535	BY-PASS PIPE	65100684			•	•	•	11/05	
	BY-PASS PIPE	998589			•	•	•	01/02	10/05
	BY-PASS PIPE	999923			•		•		12/01
0536	O-RING (PUMP)	998644			•	•	•		10/05
0537	SAFETY VALVE	65103222			•	•	•	11/05	
	SAFETY VALVE	998447			•	•	•		10/05
0538	PUMP	65103096			•	•	•	11/05	
	KIT FOR REAR PUMP ATTACHMENT	996614			•	•	•		10/05
0540	FILLING COCK KNOB	571559			•	•	•		
0541	U-CLIP	997153			•	•	•		10/05
0545	GASKET (PUMP HEAD)	998738			•	•	•		10/05
0547	U-CLIP (AUTO AIR VENT)	995368			•	•	•	11/05	
0558	CLIP	65102797			•	•	•	11/05	
	PUMP BRACKET	999162			•	•	•		10/05
0560	PIPE (SAFETY VALVE OUTLET)	573176			•	•	•	11/05	
0561	NUT	998567			•	•	•	11/05	
0562	UNION BY-PASS + O-RING	65102068			•	•	•	01/02	10/05
	UNION BY-PASS + O-RING	65103162			•	•	•	11/05	
0565	3/8 NUT	996056					•		
0571	LOW WATER PRESSURE SWITCH	995903			•	•	•		
0574	O-RING	998077			•	•	•	01/02	
0580	FLOW GAUGE (BITRON - 1/2 M-M)	65100296			•	•	•		
0582	PIPE (D.H.W. OUTLET)	65103136					•	11/05	
	PIPE (D.H.W. OUTLET)	65103170			•	•		11/05	
	PIPE (D.H.W. OUTLET)	999104			•	•			10/05
	PIPE (D.H.W. OUTLET)	999109					•		10/05
0583	PIPE (COLD WATER INLET)	65103138					•	11/05	
	PIPE (COLD WATER INLET)	65103172			•	•		11/05	
	PIPE (COLD WATER INLET)	996083					•	01/02	10/05
	PIPE (COLD WATER INLET)	999106			•				11/03
	PIPE (COLD WATER INLET)	996044			•	•		12/03	10/05
	PIPE (COLD WATER INLET)	999108					•		12/01
0586	FLOW GROUP	65103141			•	•	•	11/05	
	TAP FITTING	996050			•	•	•	01/02	10/05
0587	GASKET 1/2	573528			•	•	•		
0592	RETURN GROUP	998615					•		12/01
0594	GASKET 3/4	573520			•	•	•		
0595	GASKET 3/8	573521			•	•	•		
0599	FIXING SPRING (PRESSURE GAUGE)	571565			•	•	•		

TX

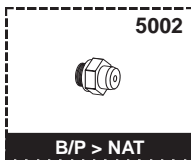
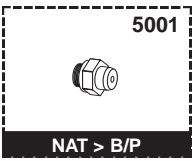
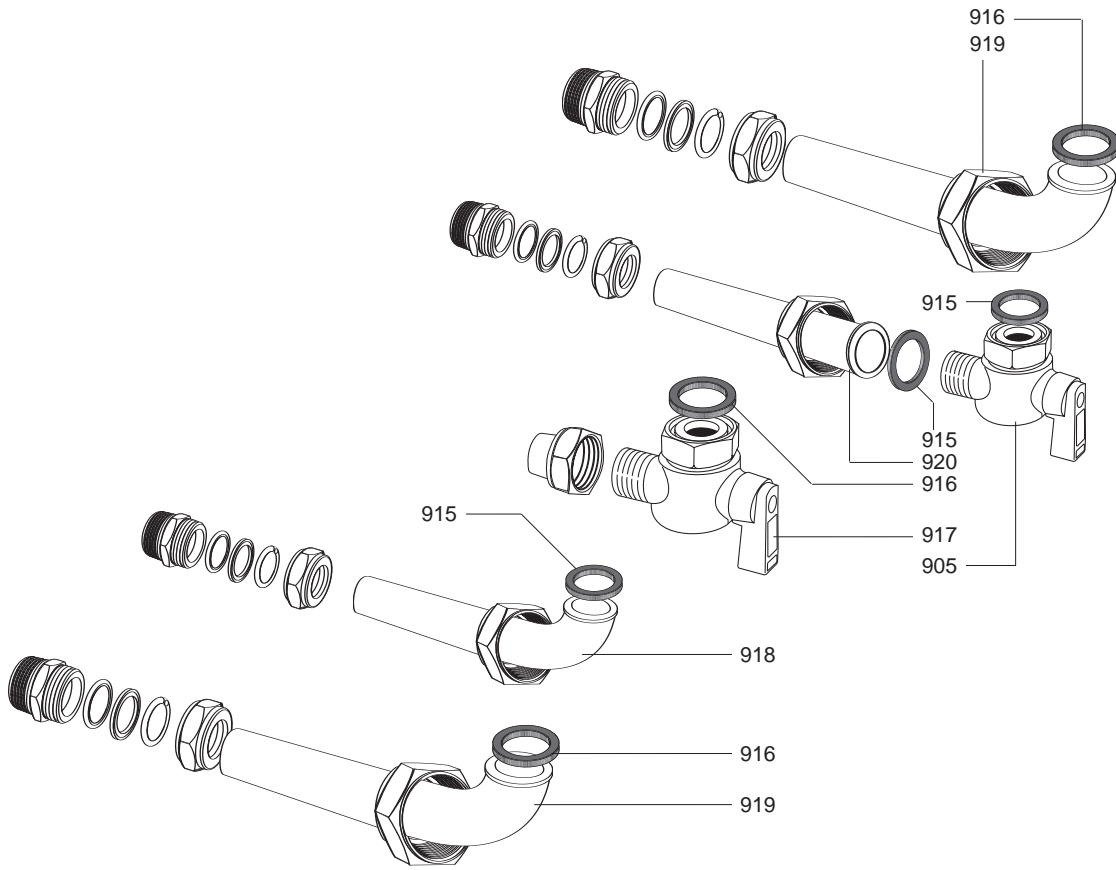
Domestic Gas Boilers



Key N	Description	Manf. Pt. N	Other	Type	MFFI			MI		Manf. date	
					23	27	23			from	to
0600	ELECTRICAL BOX										
0602	TEMPERATURE/PRESSURE GAUGE	999520					•				
0608	NYLON BUSH (10MM)	569711			•	•	•				
0614	CONTROL PANEL	998927			•	•	•				
0615	P.C.B. (TEC1-FFI)	65101374			•	•	•			03/04	
	P.C.B. (TX MFFI)	999723			•						02/04
	P.C.B. (TX MI)	999722					•				02/04
0621	LED (L=10.8)	998576			•	•	•				
0623	SPINDLE (TEMPERATURE KNOB)	998578			•	•	•				
0629	WIRING	65103174			•	•				09/05	
0630	WIRING	65103173			•	•				09/05	
0631	CABLE (P.C.B. - PUMP)	999968			•	•	•				
0632	ON-OFF KNOB	998932			•	•	•				
0634	LOW VOLTAGE WIRING	998635			•	•	•				
0637	FRONT COVER DOOR	995373			•	•	•				
0638	CABLE (POWER SUPPLY)	65101073			•	•	•				02/04
	CABLE (POWER SUPPLY)	995979			•	•	•			03/04	
0639	WIRING (PROBE)	65103142					•				
0646	TERMINAL BOARD (TWO POLE)	571787			•	•	•				
0650	CONTROL KNOB	998933			•	•	•				
0655	BLIND GROMMET	569720			•	•	•				
0658	CONTROL PANEL	999604			•		•				
	CONTROL PANEL	999604					•			11/05	
0660	FAN CABLE & SENSOR	995319			•	•					08/05
0661	CABLE (P.C.B./AIR PRESSURE SWITCH)	999929			•	•					08/05
0662	FAN CABLE & SENSOR	995318			•	•					08/05
0663	WIRING (AIR PRESSURE SWITCH/PROBE)	999425			•	•					08/05
0671	COVER	997745			•	•	•				
0672	CONTROL PANEL COVER	999238			•	•	•				
0673	RESET BUTTON (INSERT)	998573			•	•	•				
0674	BUTTON (RESET)	998604			•	•	•				
0675	SPINDLE (TEMPERATURE KNOB)	998575			•	•	•				
0676	SPINDLE (ON/OFF KNOB)	998574			•	•	•				
0677	EXTENSION (WITH 15 OHM RESISTANCE)	999495			•	•	•				04/02
0690	CABLE (OVERHEAT THERMOSTAT)	999927					•				

TX

Domestic Gas Boilers



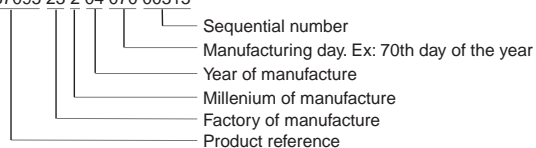
LIST OF THE ABBREVIATIONS

HW	: Hot water.
CW	: Cold water.
C	: Ceramic resistance (normal heating).
Ca	: Ceramic resistance (accelerated heating)
TP	: Immersion heater.
1F	: With fittings.
2F	: Without fittings.
3F	: With fittings and another outlet connection.
AMI	: With mixing valve.
SMI	: Without mixing valve.
PUISS	: Power of th appliance.
PN	: Appliance with normal pression.
LP	: Appliance with low pression.
PV	: Appliance with variable power.
PF	: Appliance with fixed power..

IDENTIFICATION PLATE

SERIAL NUMBER

Ex: 0537095 23 2 04 070 00315



The indications mentioned on the prices, commercial or technical literature and the scheme are written for your guidance and are available at a given time. The CONSTRUCTOR retains the power to modify the presentation, the form, the size, the conception or the material of the products.