



SPARE PARTS EXPLODED VIEW  
GAS WALL BOILERS

Models

**MICROGENUS 23 MFFI**

**MICROGENUS 27 MFFI**

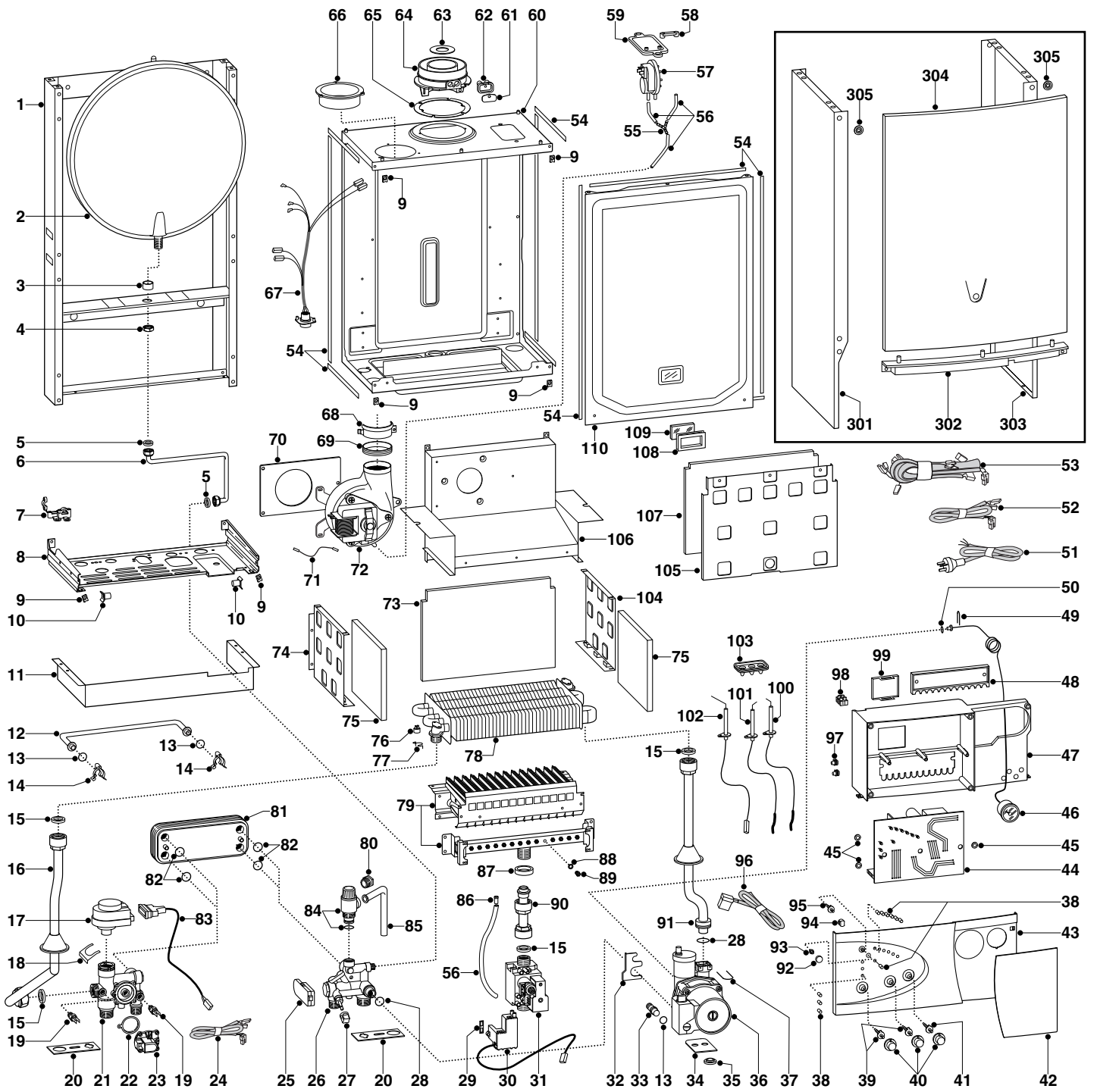
---

Edition 2 of 6 February 2004



Add to Edition 1

ER2004210033002001



ER2004210033002001

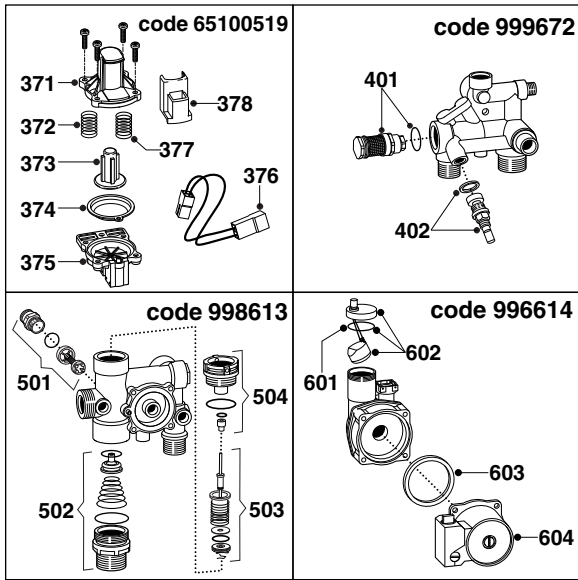
MODEL	CODE	SERIAL NO. VALIDITY	REF.
MICROGENUS 23 MFFI METHANE	535971	2320403700001	A
MICROGENUS 27 MFFI METHANE	535973	2320403700001	B

PART.	CODE	DESCRIPTION	REF.	NOTE
1	-----	Frame		11
2	998616	Expansion vessel		
3	998776	Bush (expansion vessel)		
4	998581	3/8" lock nut		
5	573521	Gasket 3/8" (25 pcs)		
6	999102	Pipe (expansion vessel)		
7	998580	Cable holder		
8	-----	Hydraulic group supportder		11
9	570717	Spring (fastening) (5 pcs)		
10	995492	Pivot		
11	65100712	Grankase (connectors cover white)		
12	998589	By-pass pipe		
13	998077	O-ring gasket (20 pcs)		
14	998064	Spring (by-pass pipe) (10 pcs)		
15	573520	Gasket 3/4" (25 pcs)		
16	999978	Pipe (C.H. flow)		
17	997147	Motor (3-Way valve)		
18	997077	Fixing clip (motor)		
19	998458	Temperature probe (D.H.W.)		
20	999601	Gasket (anti-vibration)		
21	998613	Flow group		
22	571547	Diaphragm (main flow switch)		
23	65100519	Main circuit flow switch kit with micro		
24	65101322	Cable (temperature probes)		
25	999075	D.H.W. flow switch		
26	999672	Return group (flow gauge)		13
27	571559	Filling cock knob		
28	998424	O-ring (C=4 D=17,04) (10 pcs)		
29	574279	Gasket (spark generator) (5 pcs)		
30	65100514	Spark generator		
31	997089	Gas valve (SIT 845 SIGMA)		
32	999162	Pump bracket		
33	999598	Pump plug		
34	995364	Spacer plate (pump) (20 pcs)		
35	999100	Lock washer (20 pcs)		
36	996614	Kit for rear pump attachment		
37	997153	U-clip (20 pcs)		
38	998570	L.E.D.		
39	998575	Spindle (temperature knob)		
40	998603	Control knob		
41	998572	Spindle (on/off knob)		
42	999059	Front cover		
43	999942	Control panel (front)		
44	996163	Printed circuit board (CMP2 MI/FFI)		
45	569711	Nylon bush (10mm - 20 pcs)		
46	999245	Pressure gauge		
47	-----	Control panele		11
48	998953	Cable holder cover		
49	571548	U-Clip		
50	998517	Gasket (20 pcs)		
51	995979	Cable (power supply)		
52	998863	Low voltage wiring		
53	995317	High voltage wiring		
54	65100879	Seal (combustion chamber - 10x6)		
55	573327	"Y" piece (air pressure)		
56	573576	Compensation tube		
57	571651	Air pressure switch	B	
57	998484	Air pressure switch	A	
58	573329	Pressure intake cover		
59	997203	Support plate (air pressure switch)		
60	-----	Sealed chambert point)		11
61	998565	Cover (flue test point)		
62	998636	Gasket (flue test point - 5 pcs)		
63	995315	Restrictor (flue-exhaust manifold-D=41)		
63	999980	Restrictor (flue-exhaust manifold/header D=43)		
64	999561	Flue (exhaust manifold / header)		

PART.	CODE	DESCRIPTION	REF.	NOTE
65	998637	Gasket (flue collar - 5 pcs)		
66	998595	Plug (air intake)		
67	65101357	Cable (fan/air pressure switch)		
68	998566	Fixing clamp (fan)		
69	65100707	Gasket (fan) (5 pcs)		
70	999135	Panel (insulation - fan)		
71	65101271	Earth cable (fan)	B	
71	999925	Earth cable (fan)	A	
72	998894	Fan	B	
72	999397	Fan	A	
73	998640	Panel (insulation - rear)	A	
73	999554	Panel (insulation - rear)	B	
74	995922	Panel (combustion chamber - L.H. side)	B	
74	995893	Panel (combustion chamber - L.H. side)	A	
75	998639	Panel (insulation - side)		
76	996065	Thermostat (overheat- 103°C)		
77	998583	Fixing spring (overheat therm.) (5 pcs)		
78	998893	Main exchanger	B	
78	998620	Main exchanger	A	
79	996158	Burner 12 ramp (N.G.)	A	
79	998887	Burner 14 ramp (N.G.)	B	
80	998567	Nut (pipe - safety valve)		
81	573295	Secondary exchanger (p-type 27kW)	B	
81	571646	Secondary exchanger (p-type 23kW)	A	
82	573825	O-Ring (secondary exchanger - 10 pcs)		
83	996336	Cable (power supply - motor)		
84	573172	Safety valve (1/2" 3 bar)		
85	573176	Pipe (safety valve outlet)		
86	573325	Rivet (20 pcs)		
87	569443	Silicone seal		
88	572138	Burner jet washer (20 pcs)		
89	998433	Burner jet 1.30 full kit (NG - 10 pcs)		
90	65100432	Pipe (gas inlet)		
91	998732	Pipe (C.H. return)		
92	998604	Button (reset)		
93	998571	Reset button (insert)		
94	999148	Selector button (comfort)		
95	998579	Spindle (comfort)		
96	999968	Cable (P.C.B. - pump)		
97	569720	Blind grommet		
98	571787	Terminal board (two pole)		
99	997745	Cover (potentiometers/P.C.B.)		
100	65100251	Electrode (Ignition R.H.)		
101	65100250	Electrode (Ignition L.H.)		
102	998624	Electrode (Detection)		
103	998147	Ignition electrode cable rubber		
104	995923	Panel (combustion chamber - R.H. side)	B	
104	995892	Panel (combustion chamber - R.H. side)	A	
105	65100555	Panel (combustion chamber - front)	A	
105	995921	Panel (combustion chamber - front)	B	
106	65101367	Flue hood	B	
106	999385	Flue hood	A	
107	995995	Panel (insulation - front)	A	
107	995996	Panel (insulation - front)	B	
108	998076	Gasket (sight glass)		
109	998075	Sight glass		
110	999151	Panel (front - sealed chamber)		
201	999198	Flow regulator (8 L/min)		12
202	999199	Flow regulator (10 L/min)		12
203	999200	Flow regulator (12 L/min)		12
301	998477	Case panel (L.H. side)		
302	998596	Insert case		
303	998476	Case panel (R.H. side)		
304	998607	Panel (front case)		

<b>PART.</b>	<b>CODE</b>	<b>DESCRIPTION</b>	<b>REF.</b>	<b>NOTE</b>
305	995305	Washer (20 pcs)		
911	998717	L.P.G. burner jet full kit (15 pcs)		12

<b>NOTE</b>	<b>DESCRIPTION</b>
11	Not supplied as a spare part
12	Not illustrated
13	Order part. 201 or 202 or 203 also



PART.	CODE	DESCRIPTION	REF.	NOTE
371	571775	D.H.W. pressure switch top cover		
372	571771	Spring (main flow switch) (10 pcs)		
373	571772	Magnet (main flow switch)		
374	572170	Diaphragm (pressure switch)		
375	571777	D.H.W. pressure switch bottom cover		
376	998468	Pressure switch extension cable		
377	571776	Spring (inox)		14
378	998172	Microswitch (main flow switch)		
401	998941	D.H.W. actuator kit		
402	571445	Filling tap kit		
501	998490	Central heating by-pass kit		
502	998718	3-Way spring kit (C.H.)		
503	998975	3-Way spring kit (D.H.W.)		
504	998974	Heating actuator bush		
601	998644	O-ring (pump) (10 pcs)		
602	998643	Auto Air Vent		
603	998738	Gasket (pump head)		
604	996615	Kit (motor pump)		

NOTE	DESCRIPTION
14	For sanitary function only



SPARE PARTS LIST  
ELECTRIC WATER HEATER GEYSER  
Models

**BOOSTER 80**  
**BOOSTER 100**

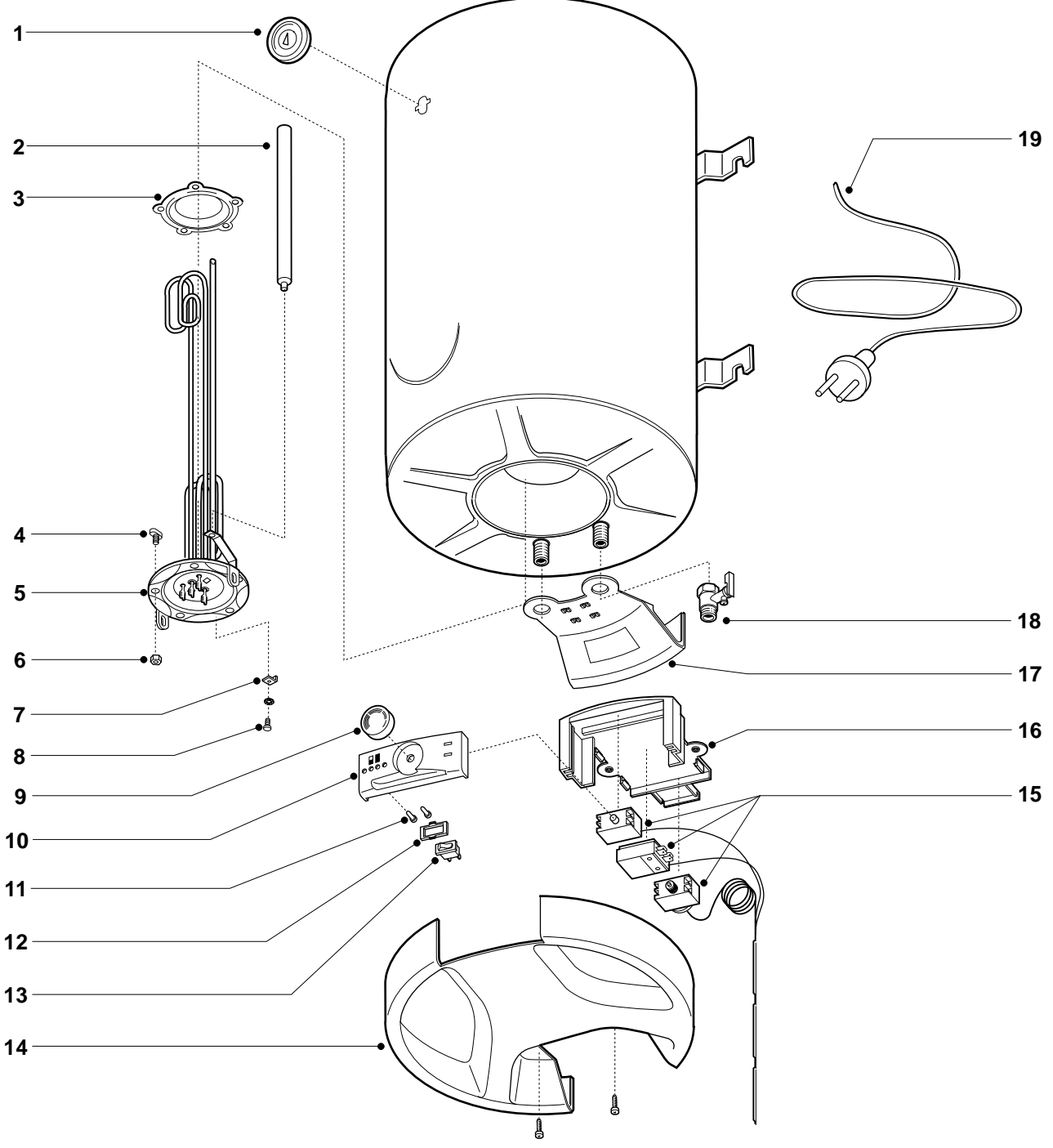
---

Edition 1 of 1 June 1999  
Revision 3 of 4 May 2001



Replaces Ed. 1 - Rev. 2

ER2001830009401031



ER2001830009401031

MODELS	CODE	SERIAL NO. VALIDITY	REF.
BOOSTER 80	869247	990420	A
BOOSTER 100	869248	990413	B



<b>PART.</b>	<b>CODE</b>	<b>DESCRIPTION</b>	<b>REF.</b>	<b>NOTE</b>
1	993156	Thermometer		21
2	570285	Anode (magnesium M8 21.3x380)		
3	571312	Element gasket (5 Stud)		
4	570316	Flange screw (M8x20)		
5	993201	Element (1200-1500W 230V - 80 LT)	A	25
5	993202	Element (1200-1500W 230V - 100 LT)	B	26
6	570127	M8x14x8 hexagonal nut		
7	570063	Terminal (earth)		
8	993015	Screw (M4x10 for groundig terminal)		
9	993104	Control knob		
10	993113	Front cover + wiring loom		
11	993114	Switch		
12	993111	Switch support		
13	993103	Push button		
14	993101	Plastic cover with gasket		
15	993269	Wired thermostat		22,23,27
16	993267	Thermostat support		28
17	993138	Plastic cover sector		24
18	571730	Safety valve		
19	571751	Cable (power supply)		
101	469989	Plastic dowels		11

<b>NOTE</b>	<b>DESCRIPTION</b>
11	Not illustrated
21	Replaces code 993117 - from serial number: 990920 - production improvement
22	Replaces code 993181 - from serial number: 000511 - operating change
23	Replaces code 993182 - from serial number: 000511 - operating change
24	Replaces code 993100 - from serial number: 991112 - production improvement
25	Replaces code 816003 - from serial number: 000511 - production improvement
26	Replaces code 816004 - from serial number: 000511 - production improvement
27	Replaces code 993205 - from serial number: 010501 - production improvement
28	Replaces code 993102 - from serial number: 010501 - production improvement