



SPARE PARTS EXPLODED VIEW
GAS WALL BOILERS

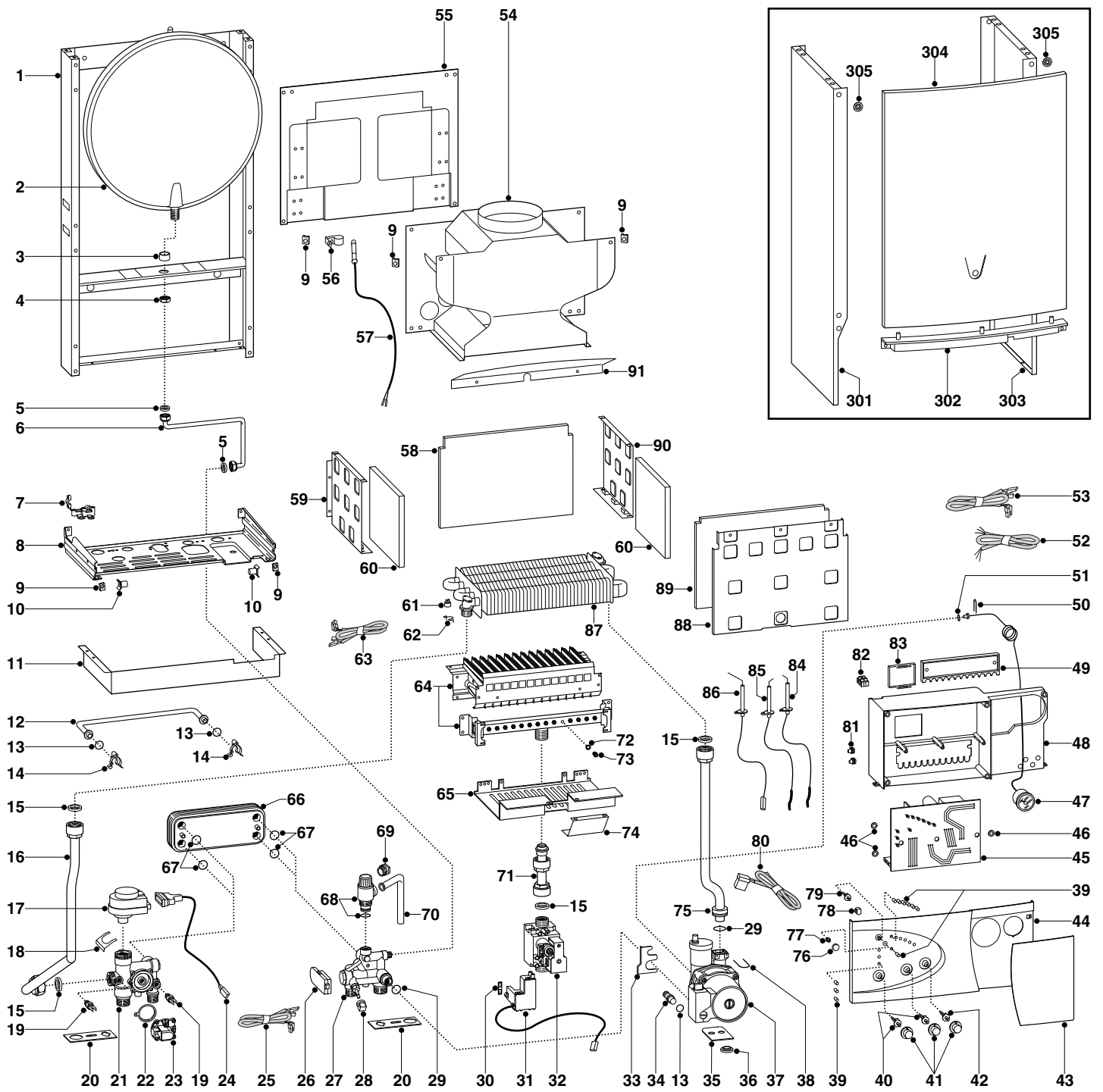
Models

MICROGENUS (RO-CZ-UCR) 23 MI

MICROGENUS (RO-CZ-UCR) 27 MI

Edition 2 of 3 February 2004





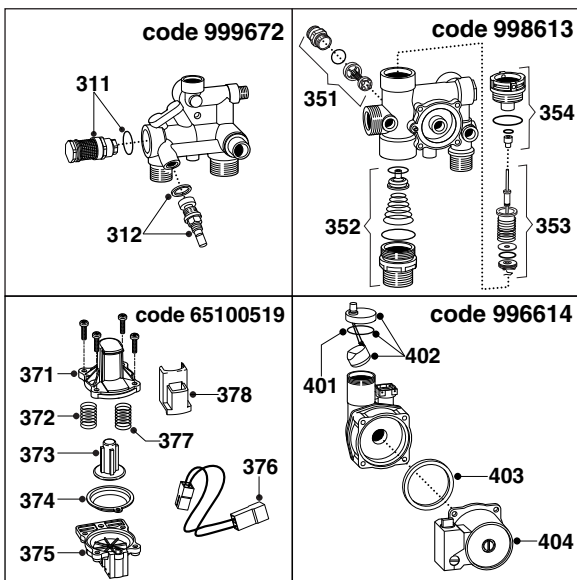
| MODEL | CODE | SERIAL NO. VALIDITY | REF. |
|--------------------------|--------|------------------------|------|
| MICROGENUS 23 MI METHANE | 535970 | 2320403400001 | A |
| MICROGENUS 27 MI METHANE | 535972 | 2320403400001 | B |

ER2004210032902001

| PART. | CODE | DESCRIPTION | REF. | NOTE |
|-------|----------|---|------|------|
| 1 | ----- | Frame | | 11 |
| 2 | 998616 | Expansion vessel | | |
| 3 | 998776 | Bush (expansion vessel) | | |
| 4 | 998581 | 3/8" lock nut | | |
| 5 | 573521 | Gasket 3/8" (25 pcs) | | |
| 6 | 999102 | Pipe (expansion vessel) | | |
| 7 | 998580 | Cable holder | | |
| 8 | ----- | Hydraulic group support | | 11 |
| 9 | 570717 | Spring (fastening) (5 pcs) | | |
| 10 | 995492 | Pivot | | |
| 11 | 65100712 | Grankase (connectors cover white) | | |
| 12 | 998589 | By-pass pipe | | |
| 13 | 998077 | O-ring gasket (20 pcs) | | |
| 14 | 998064 | Spring (by-pass pipe) (10 pcs) | | |
| 15 | 573520 | Gasket 3/4" (25 pcs) | | |
| 16 | 999996 | Pipe (C.H. flow) | | |
| 17 | 997147 | Motor (3-Way valve) | | |
| 18 | 997077 | Fixing clip (motor) | | |
| 19 | 998458 | Temperature probe (D.H.W.) | | |
| 20 | 999601 | Gasket (anti-vibration) | | |
| 21 | 998613 | Flow group | | |
| 22 | 571547 | Diaphragm (main flow switch) | | |
| 23 | 65100519 | Main circuit flow switch kit with micro | | |
| 24 | 996336 | Cable (power supply - motor) | | |
| 25 | 65101322 | Cable (temperature probes) | | |
| 26 | 999075 | D.H.W. flow switch | | |
| 27 | 999672 | Return group (flow gauge) | | 13 |
| 28 | 571559 | Filling cock knob | | |
| 29 | 998424 | O-ring (C=4 D=17,04) (10 pcs) | | |
| 30 | 574279 | Gasket (spark generator) (5 pcs) | | |
| 31 | 65100514 | Spark generator | | |
| 32 | 997089 | Gas valve (SIT 845 SIGMA) | | |
| 33 | 999162 | Pump bracket | | |
| 34 | 999598 | Pump plug | | |
| 35 | 995364 | Spacer plate (pump) (20 pcs) | | |
| 36 | 999100 | Lock washer (20 pcs) | | |
| 37 | 996614 | Kit for rear pump attachment | | |
| 38 | 997153 | U-clip (20 pcs) | | |
| 39 | 998570 | L.E.D. | | |
| 40 | 998575 | Spindle (temperature knob) | | |
| 41 | 998603 | Control knob | | |
| 42 | 998572 | Spindle (on/off knob) | | |
| 43 | 999059 | Front cover | | |
| 44 | 999942 | Control panel (front) | | |
| 45 | 996163 | Printed circuit board (CMP2 MI/FFI) | | |
| 46 | 569711 | Nylon bush (10mm - 20 pcs) | | |
| 47 | 999245 | Pressure gauge | | |
| 48 | ----- | Control panel | | 11 |
| 49 | 998953 | Cable holder cover | | |
| 50 | 571548 | U-Clip | | |
| 51 | 998517 | Gasket (20 pcs) | | |
| 52 | 995979 | Cable (power supply) | | |
| 53 | 998863 | Low voltage wiring | | |
| 54 | 996335 | Flue hood | B | |
| 54 | 996425 | Flue hood | A | |
| 55 | ----- | Panel (combustion chamber rear) | | 11 |
| 56 | 573349 | Spring (Flue Control Probe) (10 pcs) | | |
| 57 | 995348 | Cable (flue control probe) | B | |
| 57 | 995309 | Cable (flue control probe) | A | |
| 58 | 996126 | Panel (insulation - rear) | A | |
| 58 | 996161 | Panel (insulation - rear) | B | |
| 59 | 995893 | Panel (combustion chamber - L.H. side) | A | |
| 59 | 995922 | Panel (combustion chamber - L.H. side) | B | |
| 60 | 998639 | Panel (insulation - side) | | |
| 61 | 996065 | Thermostat (overheat- 103°C) | | |
| 62 | 998583 | Fixing spring (overheat therm.) (5 pcs) | | |

| PART. | CODE | DESCRIPTION | REF. | NOTE |
|-------|----------|--|------|------|
| 63 | 99927 | Cable (overheat thermostat) | | |
| 64 | 996158 | Burner 12 ramp (N.G.) | A | |
| 64 | 998887 | Burner 14 ramp (N.G.) | B | |
| 65 | 995335 | Protection screen | B | |
| 65 | 999411 | Protection screen | A | |
| 66 | 571646 | Secondary exchanger (p-type 23kW) | A | |
| 66 | 573295 | Secondary exchanger (p-type 27kW) | B | |
| 67 | 573825 | O-Ring (secondary exchanger - 10 pcs) | | |
| 68 | 573172 | Safety valve (1/2" 3 bar) | | |
| 69 | 998567 | Nut (pipe - safety valve) | | |
| 70 | 573176 | Pipe (safety valve outlet) | | |
| 71 | 65100432 | Pipe (gas inlet) | | |
| 72 | 572138 | Burner jet washer (20 pcs) | | |
| 73 | 998433 | Burner jet 1.30 full kit (NG - 10 pcs) | | |
| 73 | 998434 | Burner jet 0.77 full kit (LPG - 10 pcs) | | |
| 74 | 999435 | Protection screen | | |
| 75 | 998898 | Pipe (C.H. return) | | |
| 76 | 998604 | Button (reset) | | |
| 77 | 998571 | Reset button (insert) | | |
| 78 | 999148 | Selector button (comfort) | | |
| 79 | 998579 | Spindle (comfort) | | |
| 80 | 999968 | Cable (P.C.B. - pump) | | |
| 81 | 569720 | Blind grommet | | |
| 82 | 571787 | Terminal board (two pole) | | |
| 83 | 997745 | Cover (potentiometers/P.C.B.) | | |
| 84 | 65100251 | Electrode (Ignition R.H.) | | |
| 85 | 65100250 | Electrode (Ignition L.H.) | | |
| 86 | 998624 | Electrode (Detection) | | |
| 87 | 998620 | Main exchanger | A | |
| 87 | 999152 | Main exchanger | B | |
| 88 | 65100555 | Panel (combustion chamber - front) | A | |
| 88 | 995921 | Panel (combustion chamber - front) | B | |
| 89 | 995952 | Panel (insulation - front) | B | |
| 89 | 995999 | Panel (insulation - front) | A | |
| 90 | 995923 | Panel (combustion chamber - R.H. side) | B | |
| 90 | 995892 | Panel (combustion chamber - R.H. side) | A | |
| 91 | 995312 | Plate (frontal) | B | |
| | | | | |
| 201 | 999198 | Flow regulator (8 L/min) | | 12 |
| 202 | 999199 | Flow regulator (10 L/min) | | 12 |
| 203 | 999200 | Flow regulator (12 L/min) | | 12 |
| | | | | |
| 301 | 998695 | Case panel (L.H. side) | | |
| 302 | 991944 | Front panel crossbar | | |
| 303 | 998694 | Case panel (R.H. side) | | |
| 304 | 995343 | Panel (front case) | B | |
| 304 | 998690 | Panel (front case) | A | |
| 305 | 995305 | Washer (20 pcs) | | |
| | | | | |
| 511 | 998716 | Natural gas burner jet full kit (15 pcs) | | 12 |
| 512 | 998717 | L.P.G. burner jet full kit (15 pcs) | | 12 |

| NOTE | DESCRIPTION |
|------|------------------------------------|
| 11 | Not supplied as a spare part |
| 12 | Not illustrated |
| 13 | Order also part. 201 or 202 or 203 |



| PART. | CODE | DESCRIPTION | REF. | NOTE |
|-------|--------|-------------------------------------|------|------|
| 311 | 998941 | D.H.W. actuator kit | | |
| 312 | 571445 | Filling tap kit | | |
| 351 | 998490 | Central heating by-pass kit | | |
| 352 | 998718 | 3-Way spring kit (C.H.) | | |
| 353 | 998975 | 3-Way spring kit (D.H.W.) | | |
| 354 | 998974 | Heating actuator bush | | |
| 371 | 571775 | D.H.W. pressure switch top cover | | |
| 372 | 571771 | Spring (main flow switch) (10 pcs) | | |
| 373 | 571772 | Magnet (main flow switch) | | |
| 374 | 572170 | Diaphragm (pressure switch) | | |
| 375 | 571777 | D.H.W. pressure switch bottom cover | | |
| 376 | 998468 | Pressure switch extension cable | | |
| 377 | 571776 | Spring (inox) | | 14 |
| 378 | 998172 | Microswitch (main flow switch) | | |
| 401 | 998644 | O-ring (pump) (10 pcs) | | |
| 402 | 998643 | Auto Air Vent | | |
| 403 | 998738 | Gasket (pump head) | | |
| 404 | 996615 | Kit (motor pump) | | |

| NOTE | DESCRIPTION |
|------|----------------------------|
| 14 | For sanitary function only |