

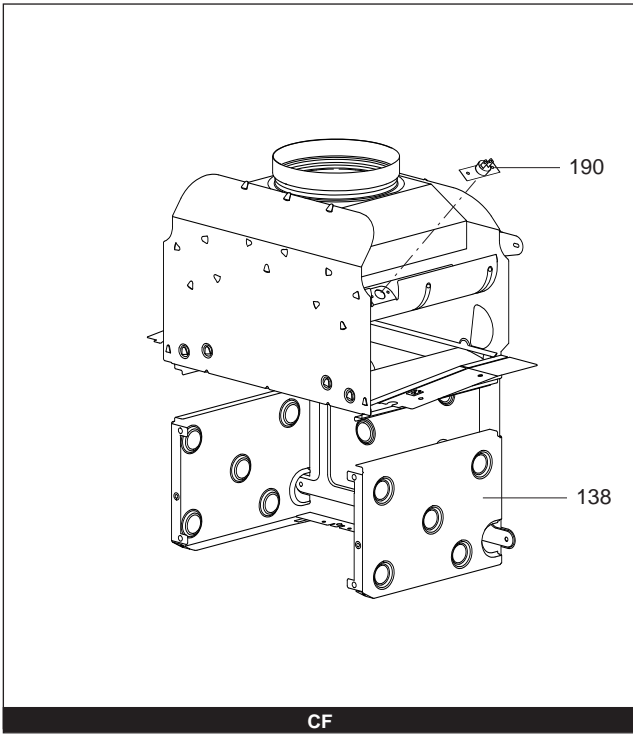
# SPARE PARTS EXPLODED VIEW GAS WALL BOILERS

Model

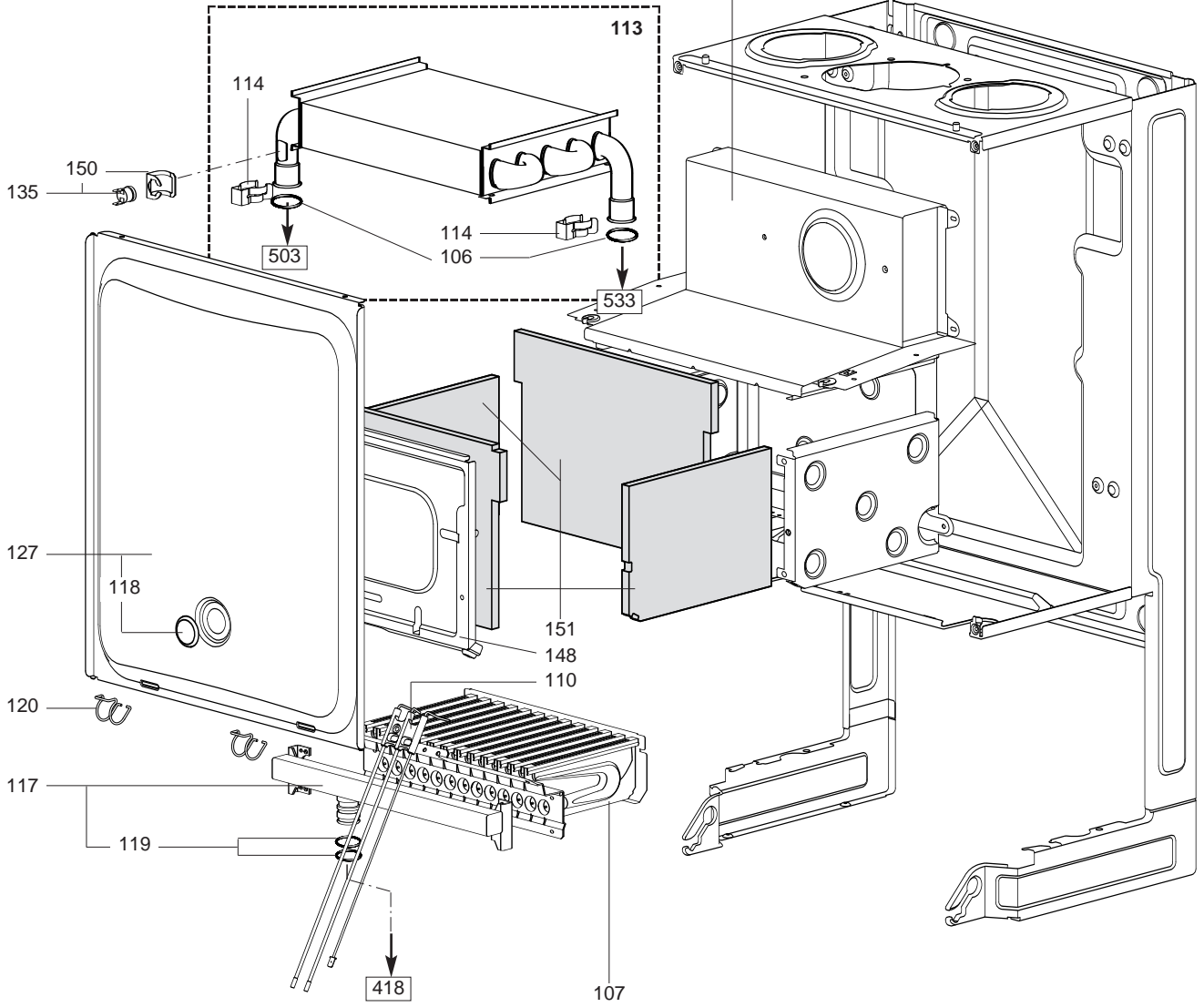
**CLAS**

R8215828-01EN - Edition 01 - 01/02/2007

3300187		CLAS 24 FF NG (EAA1)	...	...
3300189		CLAS 24 CF NG (EAA1)	...	...
3300188		CLAS 28 FF NG (EAA1)	...	...
Reference	Ind.	Model type	Begin	End

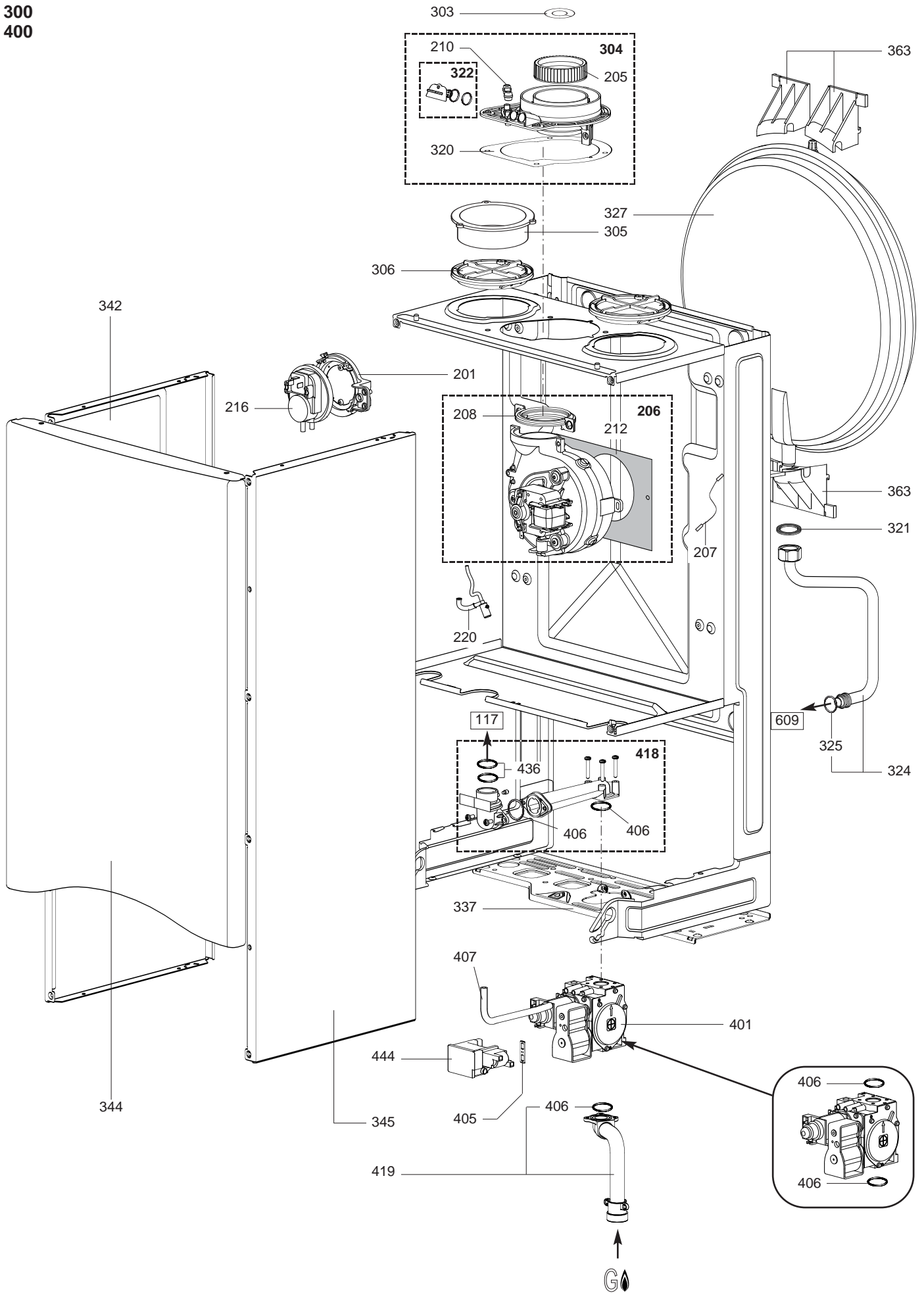


CF

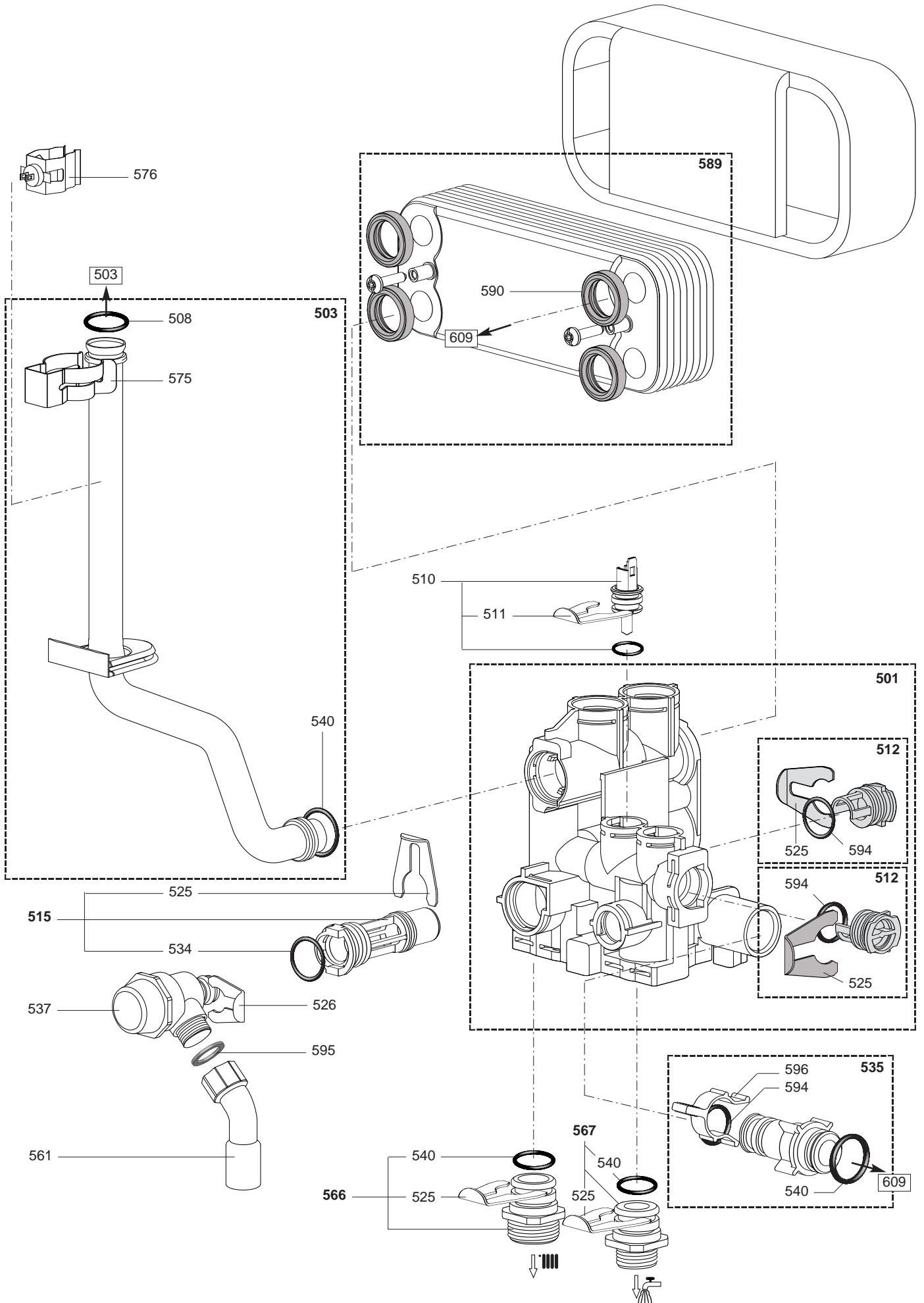


24 28

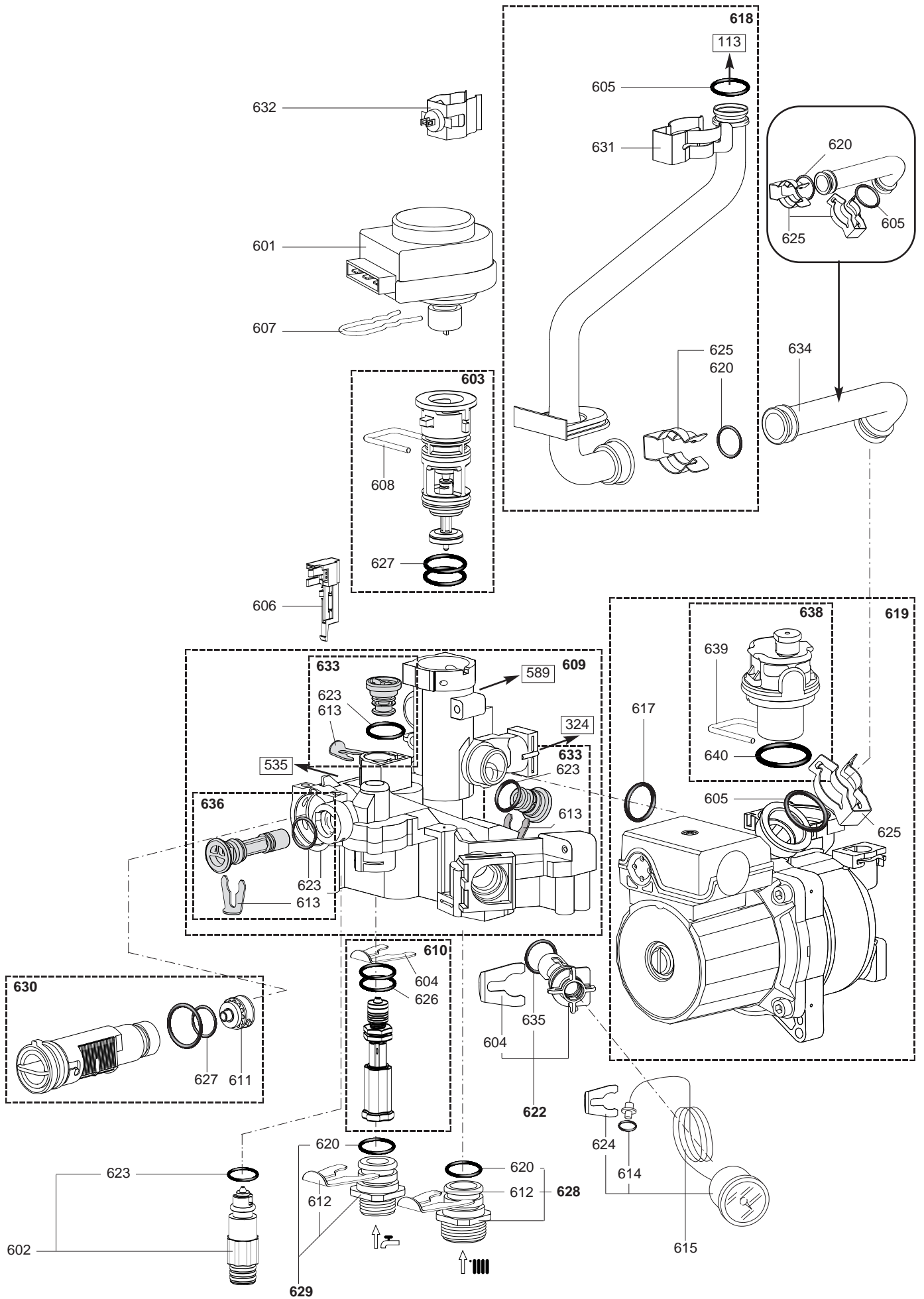
Key N	Description	Manf. Pt. N	Other	Type	FF	CF	FF	Manf. date	
								from	to
0100	SEALED CASE								
0106	O-RING 3,53X17,04	65104262			•	•	•		
0107	BURNER	65104220			•	•	•		
0110	ELECTRODE (IGNITION/DETECTION)	65104549			•	•	•		
0113	MAIN EXCHANGER	65104246					•		
	MAIN EXCHANGER	65104247			•	•			
0114	CLIP	61307589			•	•	•		
0117	GAS MANIFOLD	65104226		NG			•		
	GAS MANIFOLD	65104302		NG	•	•			
0118	SIGHT GLASS	65104232					•		
0119	O-RING 17,17X1,78	65104303			•	•	•		
0120	SPRING FRONT PANEL (KIT)	65104298					•		
0127	PANEL (FRONT - SEALED CHAMBER)	65104236					•		
0135	THERMOSTAT	65104500			•	•	•		
0138	COMBUSTION CHAMBER	65104218			•	•			
	COMBUSTION CHAMBER	65104219					•		
0148	PANEL (COMBUSTION CHAMBER)	65104240					•		
0150	CLIP	61010050			•	•	•		
0151	PANELS (KIT)	65104695			•	•	•		
0190	THERMOSTAT (75° - 65°C)	999539			•	•	•		



Key N	Description	Manf. Pt. N	Other	Type	FF	CF	FF	Manf. date	
								from	to
<b>0200</b>	<b>FAN ASSEMBLY</b>								
0201	SUPPORT (AIR PRESSURE SWITCH)	65104378			•	•			
0205	COLLAR GASKET	65104258			•	•			
0206	FAN	65104357			•				
	FAN	65104452				•			
0208	FAN GASKET	65104257			•	•			
0210	PRESSURE INTAKE COVER	573329			•	•			
0212	PANEL (INSULATION - FAN)	65104305			•	•			
0216	AIR PRESSURE SWITCH	65104672			•	•			
0220	CONDENSATE TRAP	65104623			•	•			
<b>0300</b>	<b>CHASSIS-FRONT CASE</b>								
0303	RESTRICTOR (D=44)	65105078			•	•			
0304	FLUE (EXHAUST MANIFOLD / HEADER)	65104221			•	•			
0305	AIR RETURN MANIFOLD	65104710			•	•			
0306	AIR RETURN COVER	65104249			•	•			
0320	GASKET	60000317			•	•			
0321	GASKET 3/8	573521			•	•	•		
0322	FLUE INTAKE PLUG	65104295			•	•	•		
0324	PIPE (EXPANSION VESSEL)	65104253			•	•	•		
0325	O-RING D: 8.9-2.7	61009834-14			•	•	•		
0327	EXPANSION VESSEL	65104261			•	•	•		
0337	HYDRAULIC GROUP SUPPORT	65104311			•	•	•		
0342	CASE PANEL (L.H. SIDE)	65104242			•	•	•		
0344	CASE PANEL (FRONT)	65104299			•	•	•		
0345	CASE PANEL (R.H. SIDE)	65104241			•	•	•		
0363	EXPANSION VESSEL SUPPORT	65104696			•	•	•		
<b>0400</b>	<b>GAS SECTION</b>								
0401	GAS VALVE	65104254			•	•	•		
0405	GASKET (SPARK GENERATOR)	574279			•	•	•		
0406	O-RING 22,22X2,62	65104304			•	•	•		
0407	SILICONE PIPE	65104296			•	•	•		
0418	PIPE (GAS VALVE/BURNER)	65104230			•	•	•		
0419	GAS PIPE	65104251			•	•	•		
0436	O-RING 17,17X1,78	65104303			•	•	•		
0444	SPARK GENERATOR	65104653			•	•	•		

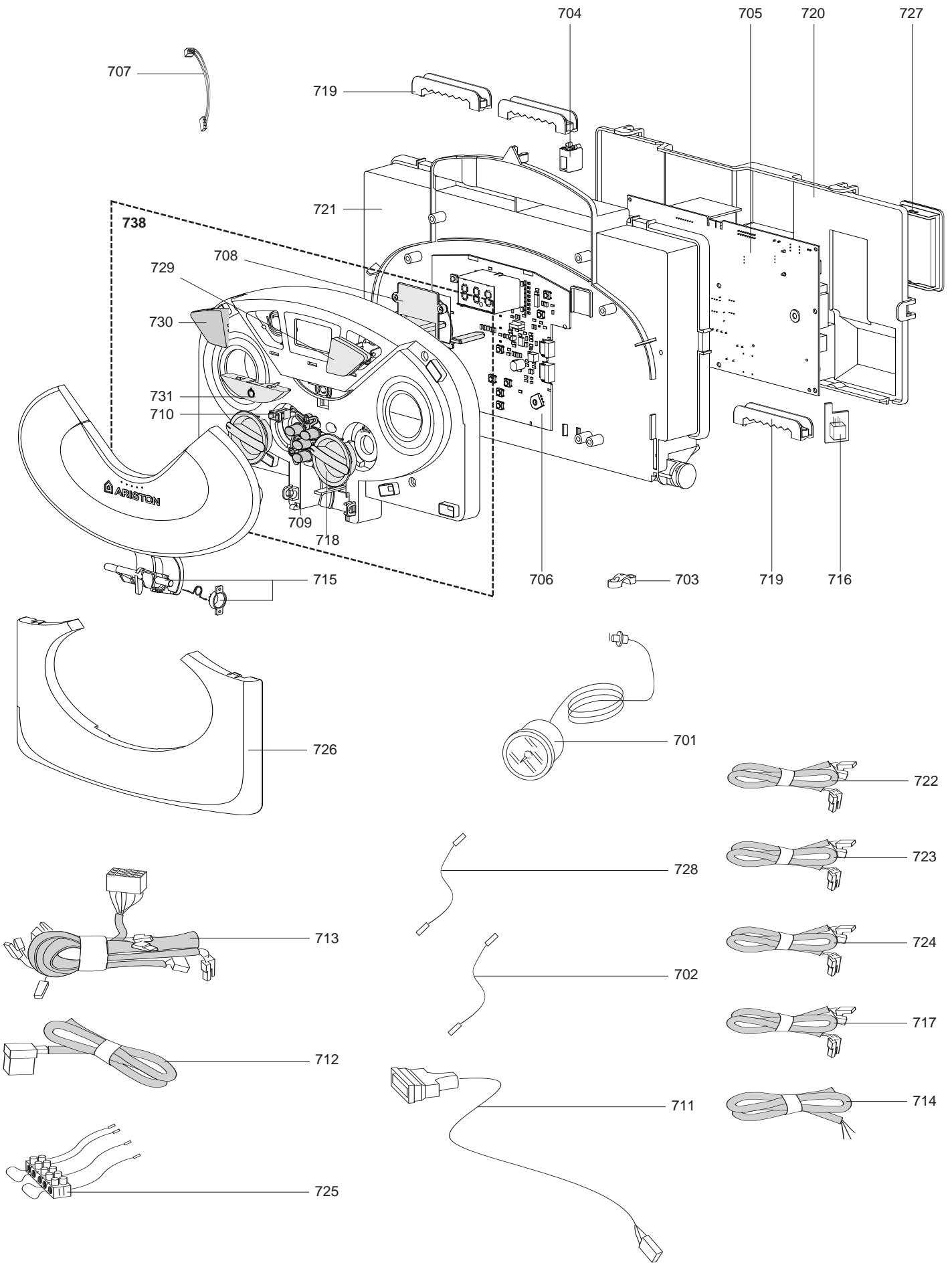




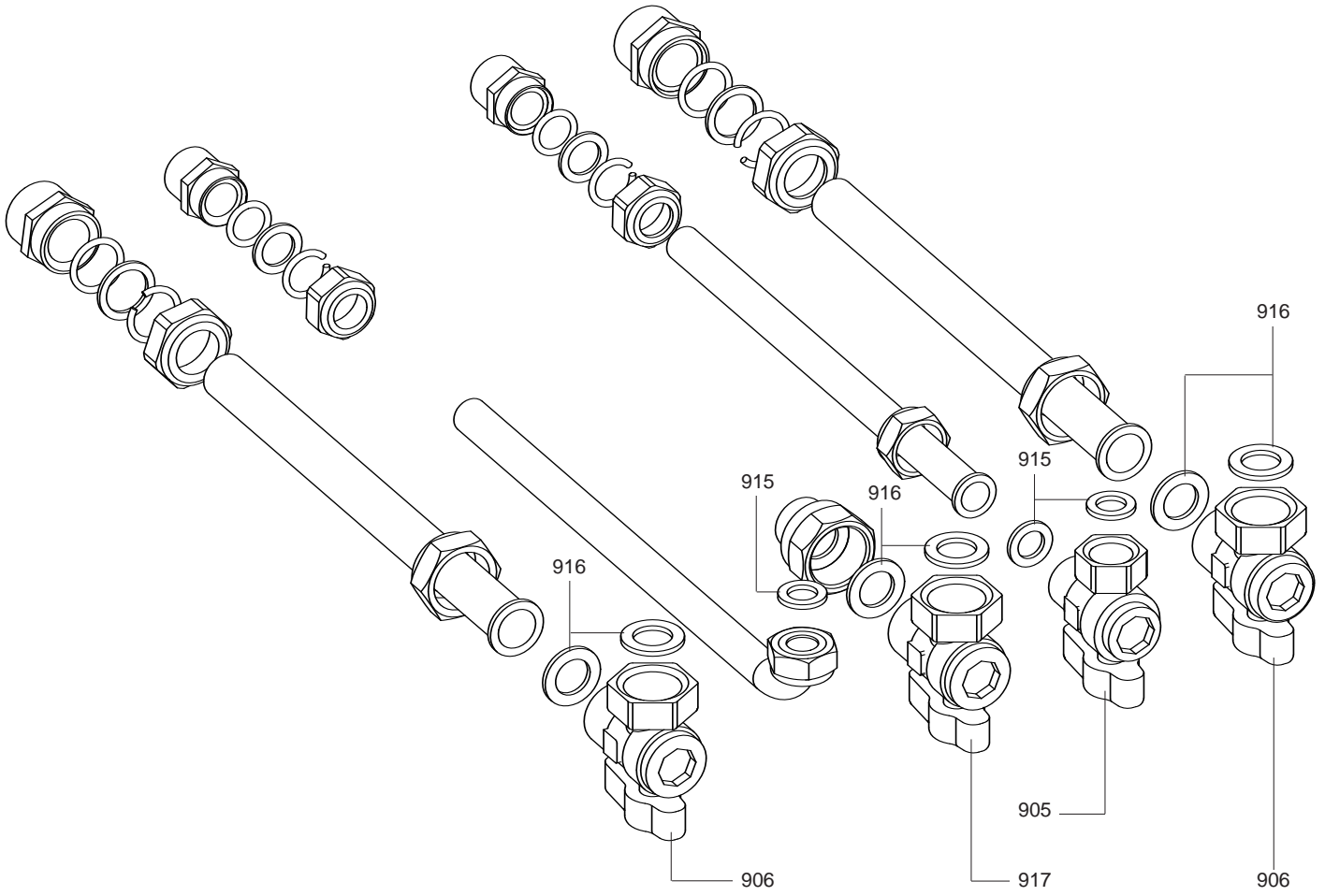




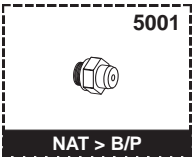
Key N	Description	Manf. Pt. N	Other	Type	24		28		Manf. date	
					FF	CF	FF	CF	from	to
0600	RETURN GROUP									
0601	MOTOR - THREE-WAY VALVE	61302483			•	•	•			
0602	DRAIN COCK	65104328			•	•	•			
0603	3-WAY SPRING KIT (D.H.W.)	65104314			•	•	•			
0604	CLIP	65104331			•	•	•			
0605	O-RING 3,53X17,04	65104262			•	•	•			
0606	SENSOR (REED)	65104323			•	•	•			
0607	CLIP	65104332			•	•	•			
0608	CLIP	65104316			•	•	•			
0609	RETURN GROUP	65104335			•	•	•			
0610	FILLING TAP KIT	65104324			•	•	•			
0611	RIDUCTORS (KIT)	65104318		8-10-12 LT	•	•	•			
0612	CLIP D=18	65104259			•	•	•			
0613	CLIP D=10	65104260			•	•	•			
0614	O RING D: 5.7-1.9	61009834-10			•	•	•			
0615	PRESSURE GAUGE	65104234			•	•	•			
0617	O - RING (21.89X2.62)	65104320			•	•	•			
0618	PIPE (C.H. RETURN)	65104265			•	•	•			
0619	PUMP	65104227			•	•	•			
0620	O-RING D: 17.86-2.62	61308091			•	•	•			
0622	WATER FILTER	65104711			•	•	•			
0623	O - RING (9.19X2.62)	65104313			•	•	•			
0624	CLIPS	65100680			•	•	•			
0625	CLIP	60000309			•	•	•			
0626	O - RING (1.78X8.74)	65104329			•	•	•			
0627	O - RING (23.47X2.62)	65104315			•	•	•			
0628	UNION (3/4)	65104326			•	•	•			
0629	UNION (1/2)	65104327			•	•	•			
0630	3-WAY SPRING KIT (D.H.W.)	65104317			•	•				
	3-WAY SPRING KIT (D.H.W.)	65104557					•			
0631	CLIP	61307589			•	•	•			
0632	TEMPERATURE PROBE + CLIP	990686			•	•				
0633	PLUG	65104377			•	•	•			
0634	UNION (PUMP - PIPE)	65104266			•	•	•			
0635	O - RING (15.54X2.62)	65104325			•	•	•			
0638	AUTO AIR VENT WITH O-RING	65104703			•	•	•			
0639	U-CLIP	65104704			•	•	•			
0640	O-RING	65104705			•	•	•			



Key N	Description	Manf. Pt. N	Other	Type	24		28		Manf. date	
					FF	CF	FF	CF	from	to
0700	ELECTRICAL BOX									
0701	PRESSURE GAUGE	65104234			•	•	•			
0702	CABLE (EARTH)	65104286			•	•	•			
0703	CABLE CLAMP	571562			•	•	•			
0704	PUSH	65104228			•	•	•			
0705	P.C.B. (MAIN)	65105068			•	•	•			
0706	PRINTED CIRCUIT BOARD (DISPLAY)	65104448			•	•	•			
0707	DISPLAY WIRING	65104297			•	•	•			
0708	DISPLAY GLASS	65104356			•	•	•			
0709	PUSH BUTTON GROUP (MENU)	65104503			•	•	•			
0710	PUSH (CASE DOOR)	65100676			•	•	•			
0711	3-WAY VALVE CABLE	65104523			•	•	•			
0712	CABLE (PUMP)	65104520			•	•	•			
0713	HYDRAULIC SENSOR WIRING	65104517			•	•	•			
0714	FEEDER	61308031			•	•	•			
0715	FRONT COVER	65104449			•	•	•			
0716	MODULE KIT (EEPROM)	65105148			•	•	•			
0717	SEALED CHAMBER PROBES WIRING	65104521					•			
	OPEN CHAMBER PROBES WIRING	65104708			•	•				
0718	KNOB	65104450			•	•	•			
0719	CABLE CLAMP	65103377			•	•	•			
0720	CONTROL PANEL COVER (REAR)	65104293			•	•	•			
0721	CONTROL PANEL	65104300			•	•	•			
0723	CABLE (FAN)	65104519					•			
0724	WIRING	65104522			•	•	•			
0725	INSTALLER ZONE WIRING	65104524			•	•	•			
0726	LOWER COVER	65104379			•	•	•			
0727	INSPECTION COVER	65104294			•	•	•			
0728	FLAME SENSOR WIRING (PCB SIDE)	65104518			•	•	•			
0729	PULSANTE DX	65104222			•	•	•			
0730	PULSANTE SX	65104229			•	•	•			
0731	PUSH BUTTON ON/OFF	65104267			•	•	•			
0738	CONTROL PANEL	65104446			•	•	•			



5000



24 28

Key N	Description	Manf. Pt. N	Other	Type	FF	CF	FF	Manf. date	
								from	to
<b>0900</b>	<b>COCKS &amp; FITTING PLATE</b>								
0905	TAP (1/2 )	65105098			•	•	•		
0906	TAP (3/4 )	65104694			•	•	•		
0915	GASKET 1/2	573528			•	•	•		
0916	GASKET 3/4	573520			•	•	•		
0917	3/4 TAP	65105097			•	•	•		
<b>5000</b>	<b>ACCESSORIES</b>								
5001	BURNER JET FULL KIT (LPG)	65104580			•	•			
	BURNER JET FULL KIT (LPG)	65104582					•		
5002	BURNER JET FULL KIT (NG)	65104581			•	•			
	BURNER JET FULL KIT (NG)	65104583					•		
	BURNER JET FULL KIT (NG) HU	65104586		HUNGARY	•	•			
	BURNER JET FULL KIT (NG) HU	65104587		HUNGARY			•		
	BURNER JET FULL KIT (NG) PL	65104588		POLAND	•	•			
	BURNER JET FULL KIT (NG) PL	65104589		POLAND			•		

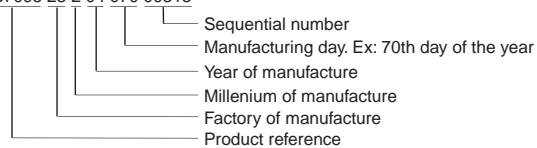
## LIST OF THE ABBREVIATIONS

HW .....	: Hot water.
CW .....	: Cold water.
C .....	: Ceramic resistance (normal heating).
Ca .....	: Ceramic resistance (accelerated heating)
TP .....	: Immersion heater.
1F .....	: With fittings.
2F .....	: Without fittings.
3F .....	: With fittings and another outlet connection.
AMI .....	: With mixing valve.
SMI .....	: Without mixing valve.
PUISS .....	: Power of th appliance.
PN .....	: Appliance with normal pression.
LP .....	: Appliance with low pression.
PV .....	: Appliance with variable power.
PF .....	: Appliance with fixed power..

## IDENTIFICATION PLATE

### SERIAL NUMBER

Ex: 0537095 23 2 04 070 00315



The indications mentioned on the prices, commercial or technical literature and the scheme are written for your guidance and are available at a given time. The CONSTRUCTOR retains the power to modify the presentation, the form, the size, the conception or the material of the products.