

# Spare part catalogue

801508.00 INT 12/2004



atmoMAG

Gerät 1  
Gerät 2





# Content

<b>General view of sheet</b>	MAG INT mini 11-0/0 XZ MAG INT 14-0/0 XZ	Page 3
<b>01 Water valve</b>	MAG INT mini 11-0/0 XZ MAG INT 14-0/0 XZ	Page 4
<b>04 Burner</b>	MAG INT mini 11-0/0 XZ MAG INT 14-0/0 XZ	Page 6
<b>05 Gas section</b>	MAG INT mini 11-0/0 XZ MAG INT 14-0/0 XZ	Page 8
<b>06 Heat exchanger 11I</b>	MAG INT mini 11-0/0 XZ	Page 10
<b>06a Heat exchanger 14I</b>	MAG INT 14-0/0 XZ	Page 12
<b>07 Casing parts</b>	MAG INT mini 11-0/0 XZ MAG INT 14-0/0 XZ	Page 14
<b>08a Connection parts</b>	MAG INT mini 11-0/0 XZ MAG INT 14-0/0 XZ	Page 16
<b>General view of sheet</b>	MAG INT mini 11-0/0 XI MAG INT 14-0/0 XI	Page 19
<b>01 Water valve</b>	MAG INT mini 11-0/0 XI MAG INT 14-0/0 XI	Page 20
<b>04 Burner</b>	MAG INT mini 11-0/0 XI MAG INT 14-0/0 XI	Page 22
<b>05 Gas section</b>	MAG INT mini 11-0/0 XI MAG INT 14-0/0 XI	Page 24
<b>06 Heat exchanger 11I</b>	MAG INT mini 11-0/0 XI	Page 26
<b>06a Heat exchanger 14I</b>	MAG INT 14-0/0 XI	Page 28
<b>07 Casing parts</b>	MAG INT mini 11-0/0 XI MAG INT 14-0/0 XI	Page 30
<b>08a Connection parts</b>	MAG INT mini 11-0/0 XI MAG INT 14-0/0 XI	Page 32
<b>Notes</b>		Page 34

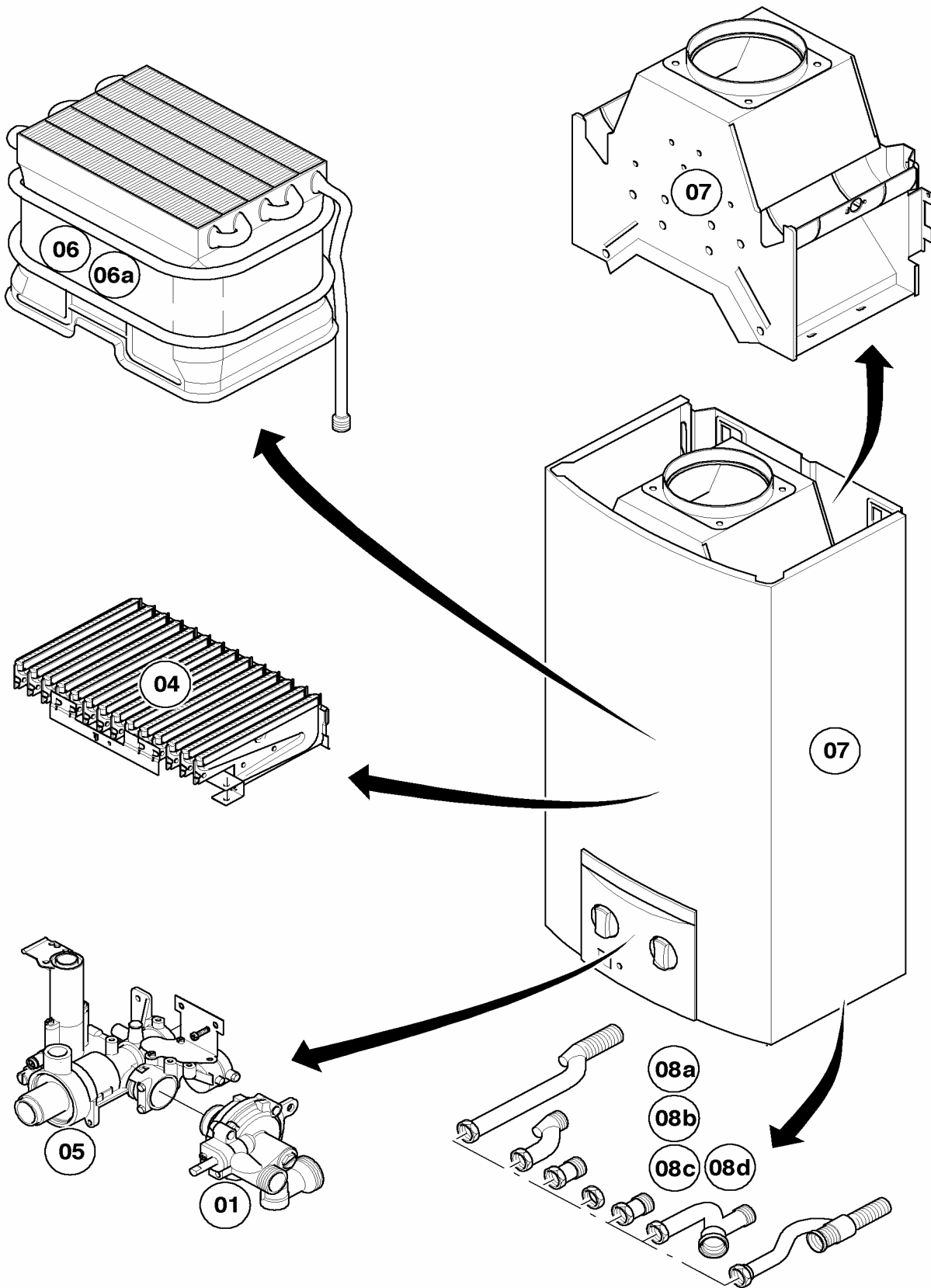
In order to maintain the safe and efficient operation of this appliance, only genuine Vaillant spare parts must be used.



# General view of sheet

MAG INT mini 11-0/0 XZ

MAG INT 14-0/0 XZ



01 - 00 - 533.01

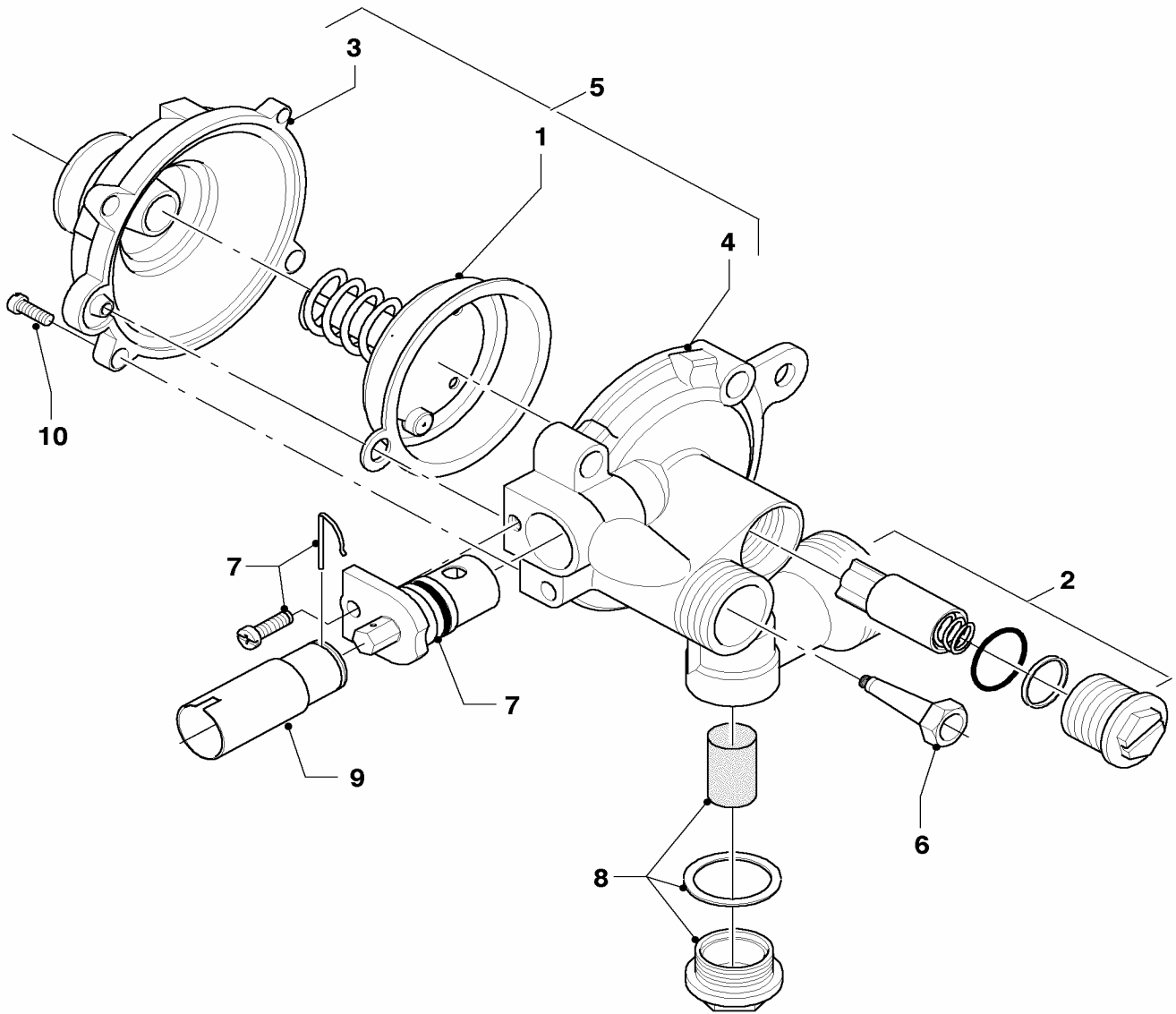
Subject to alteration !

Attention: Please take the gross price from the valid price list !

# 01 Water valve

MAG INT mini 11-0/0 XZ

MAG INT 14-0/0 XZ



01 - 01 - 516

## 01 Water valve

MAG INT mini 11-0/0 XZ

MAG INT 14-0/0 XZ

Pos.	Art.-No	Part	Type, note
		01-01-516	
01	115300	diaphragm cpl.	MAG INT mini 11-0/0 XZ
01	111718	diaphragm cpl.	MAG INT 14-0/0 XZ
02	115301	water quantity regulator, cpl.	
03	115302	water valve - upper part	
04	115303	lower part	
05	115304	water valve, cpl.	MAG INT mini 11-0/0 XZ, with parts 01, 02, 03, 04, 06, 07, 08 and 10
05	115305	water valve, cpl.	MAG INT 14-0/0 XZ, with parts 01, 02, 03, 04, 06, 07, 08 and 10
06	115311	venturi	MAG INT mini 11-0/0 XZ
06	115313	venturi	MAG INT 14-0/0 XZ
07	115314	temperature selector	MAG INT mini 11-0/0 XZ
07	115315	temperature selector	MAG INT 14-0/0 XZ
08	115318	water filter	
09	115166	adapter, cpl.	MAG INT mini 11-0/0 XZ
09	115167	adapter, cpl.	MAG INT 14-0/0 XZ
10	115320	screw, cpl. (5 p.)	

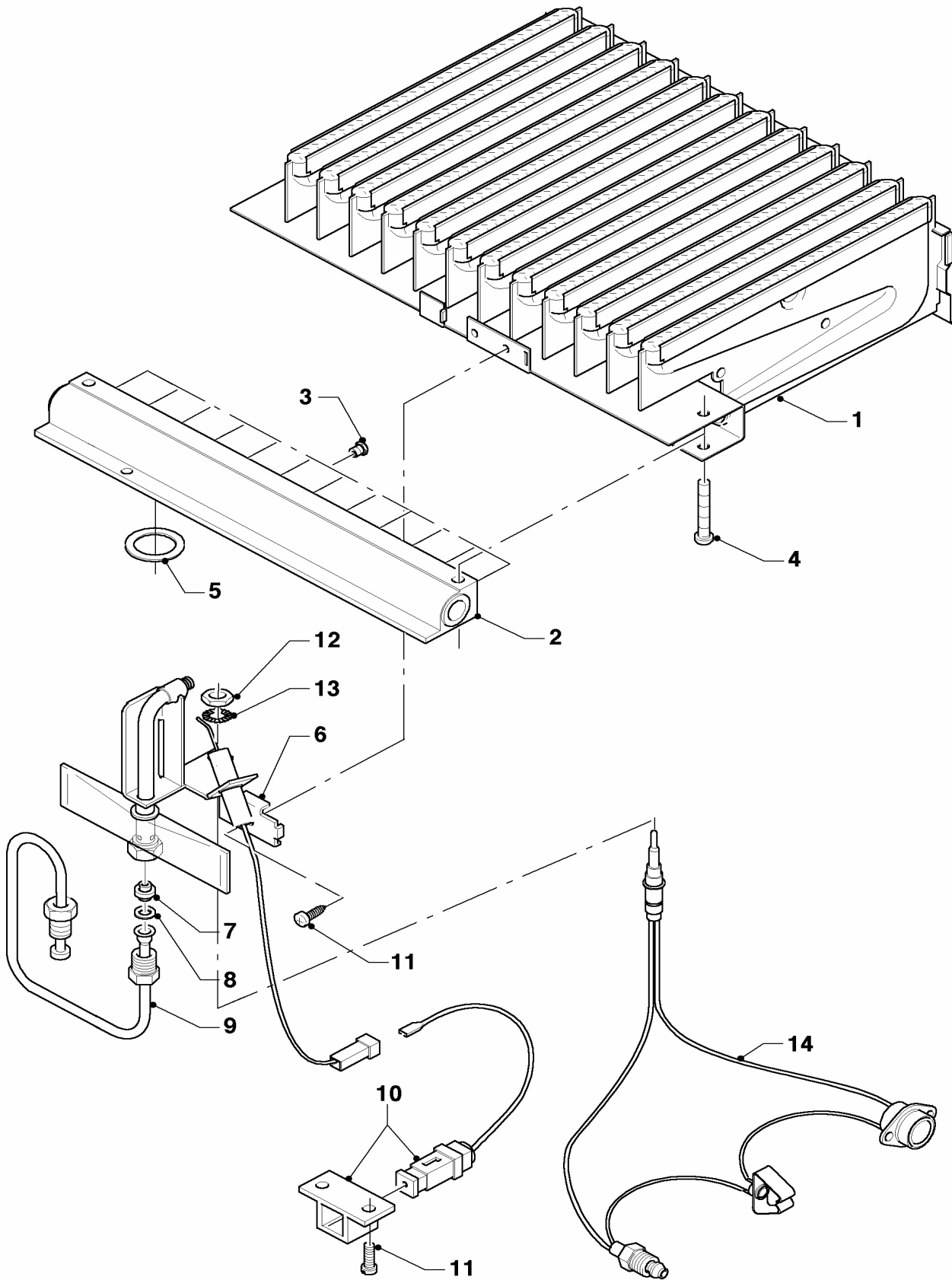
Subject to alteration !

Attention: Please take the gross price from the valid price list !

# 04 Burner

MAG INT mini 11-0/0 XZ

MAG INT 14-0/0 XZ



01 - 04 - 539



## 04 Burner

MAG INT mini 11-0/0 XZ

MAG INT 14-0/0 XZ

Pos.	Art.-No	Part	Type, note
		01-04-539	
01	115189	burner chamber group, cpl.	MAG INT mini 11-0/0 XZ, with part 04
01	115190	burner chamber group, cpl.	MAG INT 14-0/0 XZ, with part 04
02	115191	burner support, cpl.	MAG INT mini 11-0/0 XZ, with parts 04, 05, 15
02	115193	burner support, cpl.	MAG INT 14-0/0 XZ, with parts 04, 05, 15
03	291202	burner nozzle cpl. (12 p.)	MAG INT mini 11-0/0 XZ H
03	291203	burner nozzle cpl. (12 p.)	MAG INT mini 11-0/0 XZ B
03	291204	burner nozzle cpl. (14 p.)	MAG INT 14-0/0 XZ H
03	291205	burner nozzle cpl. (14 p.)	MAG INT 14-0/0 XZ B
04	105831	cylinder screw, cpl. (10 p.)	
05	981125	packingring cpl. (set of 10)	
06	115195	pilot burner, cpl.	with parts 08, 11, 12, 13
07	042825	pilot burner nozzle (D= 0.25 mm)	B
07	040550	pilot burner nozzle (D= 0.18 mm)	H
08	115196	packing ring cpl. (10 p.)	
09	115200	pilot burner tube, cpl.	MAG INT mini 11-0/0 XZ, with part 08
09	115201	pilot burner tube, cpl.	MAG INT 14-0/0 XZ, with part 08
10	115242	piezo ignition, cpl.	MAG INT mini 11-0/0 XZ, with part 11
10	115248	piezo ignition, cpl.	MAG INT 14-0/0 XZ, with part 11
11	115198	cylinder screw, cpl. (10 p.)	
12	114627	nut, cpl. (10 p.)	
13	191306	disc (10 p.)	
14	115203	temperature limiter cpl.	MAG INT mini 11-0/0 XZ
14	115205	temperature limiter cpl.	MAG INT 14-0/0 XZ

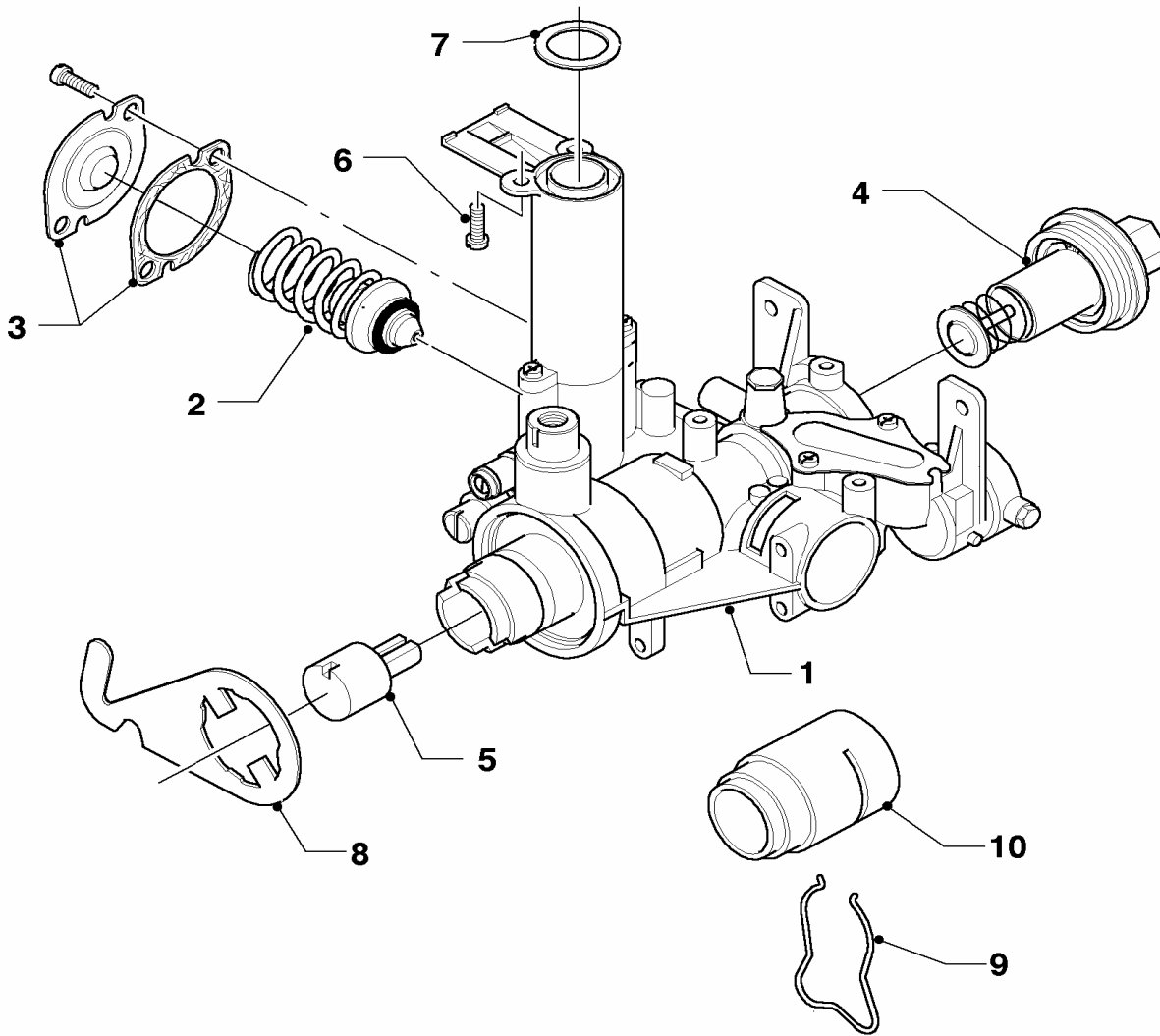
Subject to alteration !

Attention: Please take the gross price from the valid price list !

## 05 Gas section

MAG INT mini 11-0/0 XZ

MAG INT 14-0/0 XZ



01 - 02 - 514

## 05 Gas section

MAG INT mini 11-0/0 XZ

MAG INT 14-0/0 XZ

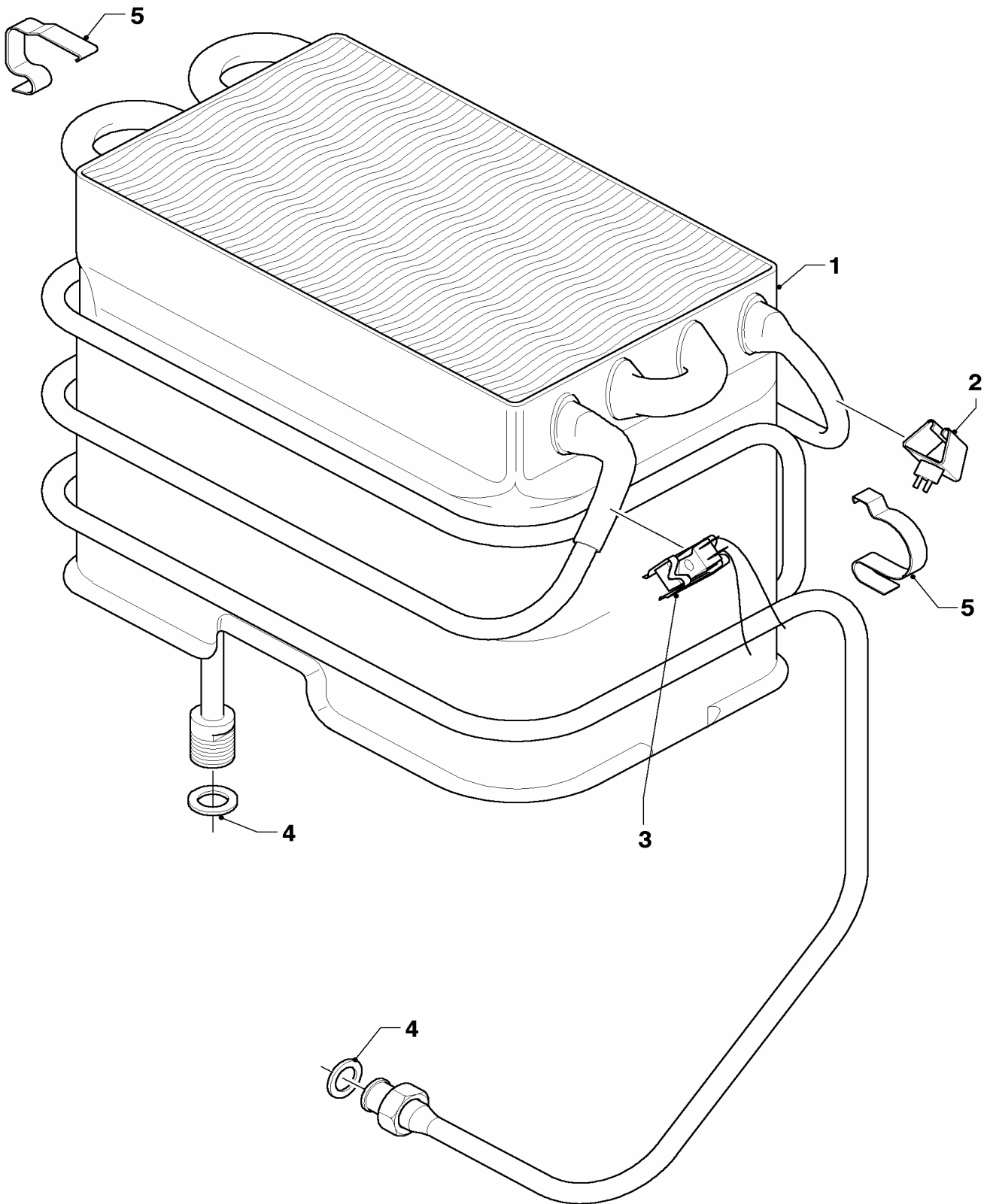
Pos.	Art.-No	Part	Type, note
		01-02-514	
00	311811	conversion kit of H	MAG INT mini 11-0/0 XZ
00	311815	conversion kit of PB	MAG INT mini 11-0/0 XZ
00	311819	conversion kit of PB	MAG INT 14-0/0 XZ
00	311821	conversion kit of H	MAG INT 14-0/0 XZ
01	111719	gas section, cpl.	MAG INT mini 11-0/0 XZ H, with parts 02, 03, 05, 06 and 07
01	111722	gas section, cpl.	MAG INT 14-0/0 XZ H, with parts 02, 03, 05, 06 and 07
01	117250	gas section, cpl.	MAG INT mini 11-0/0 XZ B, with parts 02, 03, 05, 06 and 07
01	117251	gas section, cpl.	MAG INT 14-0/0 XZ B, with parts 02, 03, 05, 06 and 07
02	115323	water deficiency valve	MAG INT mini 11-0/0 XZ H
02	115324	water deficiency valve	MAG INT 14-0/0 XZ H
02	115325	water deficiency valve	MAG INT mini 11-0/0 XZ B
02	115326	water deficiency valve	MAG INT 14-0/0 XZ B
03	115329	cover and packingring	
04	115353	magneto	
05	115168	adapter, cpl.	
06	105829	cylinder screw, cpl. (10 p.)	
07	981125	packingring cpl. (set of 10)	

Subject to alteration !

Attention: Please take the gross price from the valid price list !

# 06 Heat exchanger 11I

MAG INT mini 11-0/0 XZ



01 - 06 - 512

## 06 Heat exchanger 11I

MAG INT mini 11-0/0 XZ

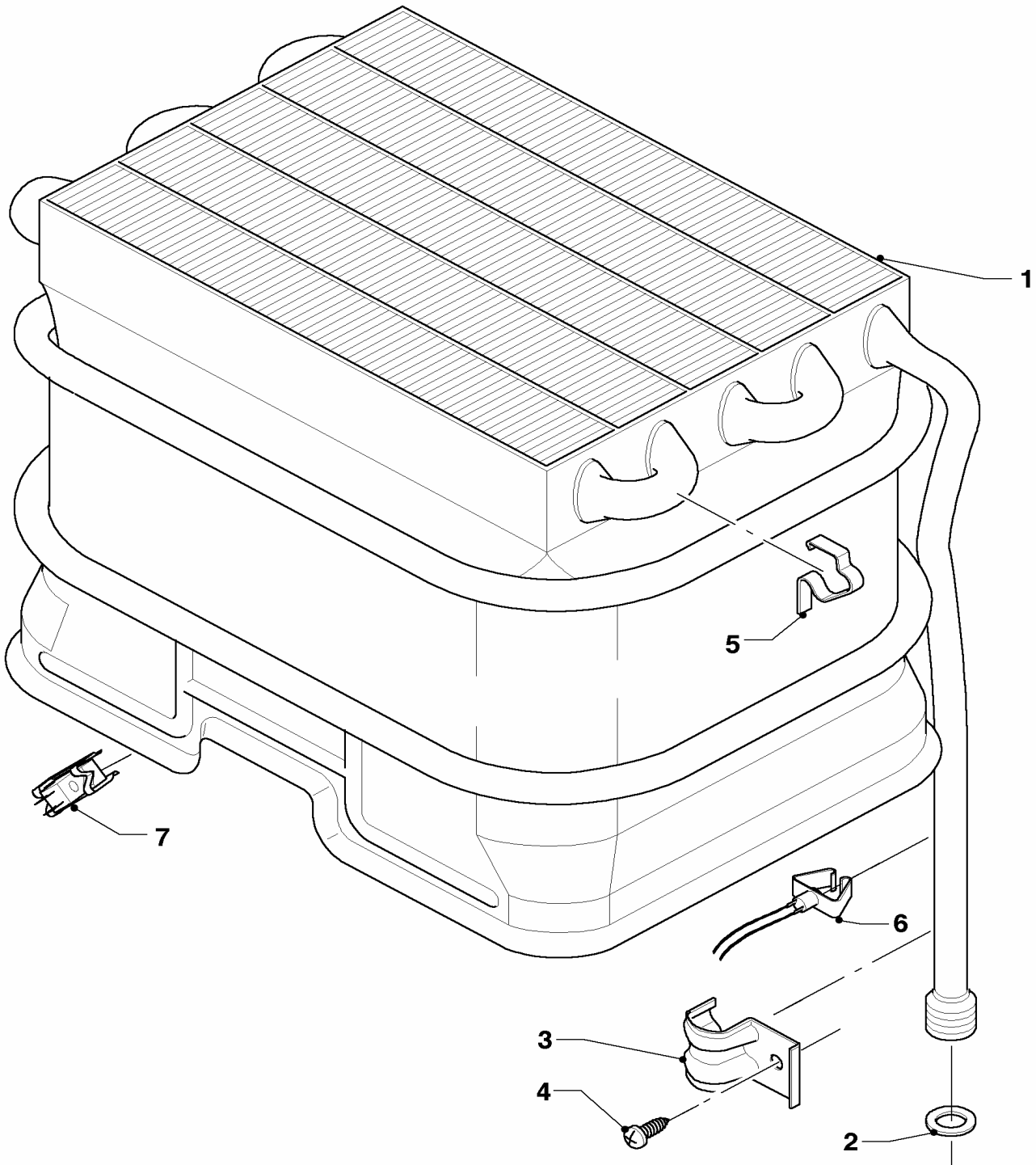
Pos.	Art.-No	Part	Type, note
		01-06-512	
01	115174	heat exchanger, cpl.	with parts 04, 05
02	115203	temperature limiter cpl.	
03	-	-	not for this appliance
04	981143	packingring (set of 10)	
05	139702	spring clamp (10 p.)	

Subject to alteration !

Attention: Please take the gross price from the valid price list !

# 06a Heat exchanger 14l

MAG INT 11, 14-0/0 XZ



01 - 06 - 513

## 06a Heat exchanger 14l

MAG INT 11, 14-0/0 XZ

Pos.	Art.-No	Part	Type, note
		01-06-513	
01	061639	heat exchanger, cpl.	with parts 02, 05
02	981143	packingring (set of 10)	
03	086133	spring clamp	
04	235727	screw	
05	139702	spring clamp (10 p.)	
06	115205	temperature limiter cpl.	
07	-	-	not for this appliance

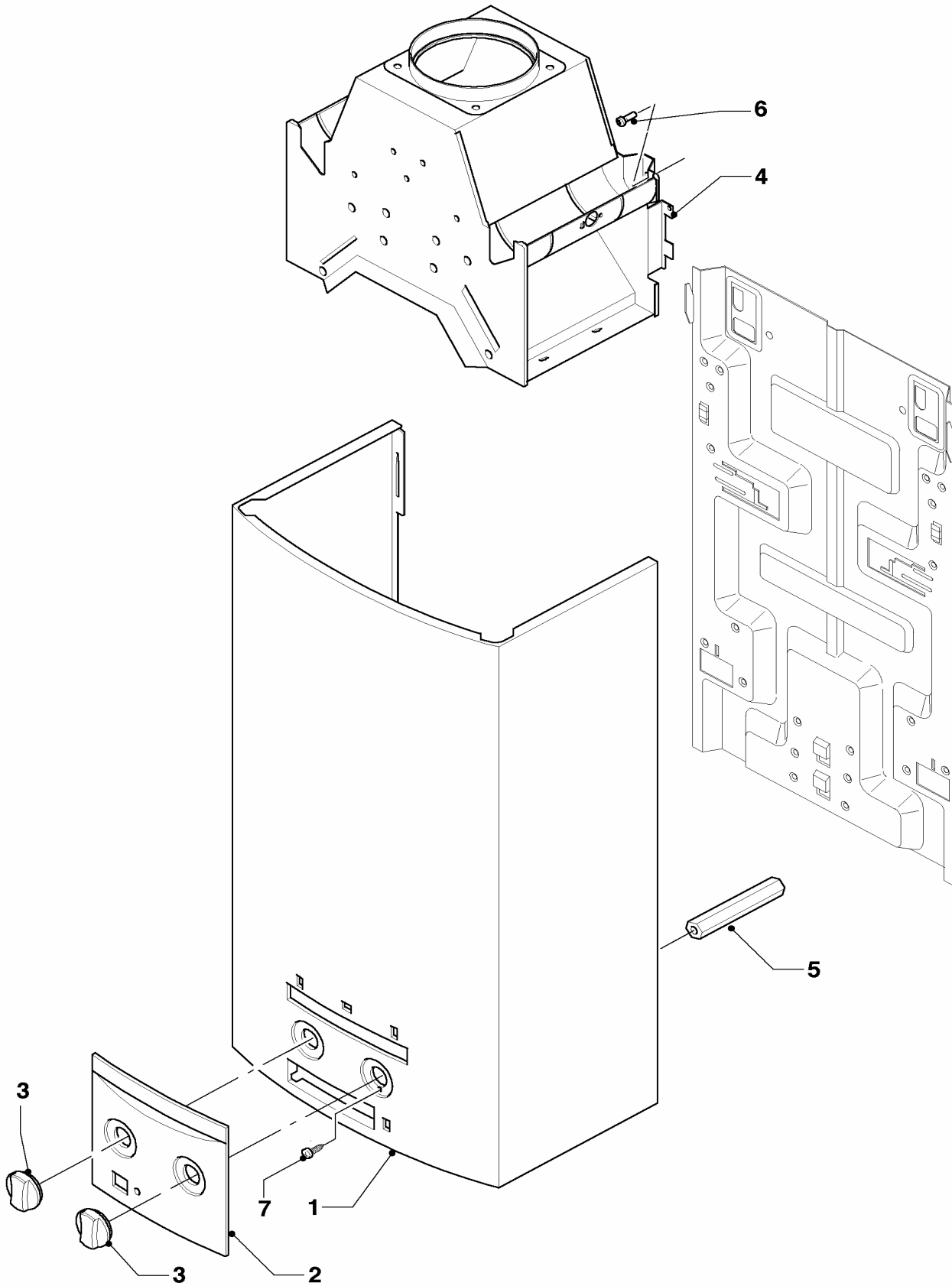
Subject to alteration !

Attention: Please take the gross price from the valid price list !

## 07 Casing parts

MAG INT mini 11-0/0 XZ

MAG INT 14-0/0 XZ



01 - 07 - 554



## 07 Casing parts

MAG INT mini 11-0/0 XZ

MAG INT 14-0/0 XZ

Pos.	Art.-No	Part	Type, note
		01-07-554	
01	115139	cowling, cpl.	MAG INT mini 11-0/0 XZ, with part 06
01	115146	cowling, cpl.	MAG INT 14-0/0 XZ, with part 06
02	115149	covering plate, cpl.	
03	115163	knob, cpl.	
04	115188	draft diverter, cpl.	MAG INT mini 11-0/0 XZ, with part 06
04	075086	draft diverter, cpl.	MAG INT 14-0/0 XZ, with part 06
05	117257	distance piece	MAG INT 14-0/0 XZ
06	105832	cylinder screw, cpl. (10 p.)	

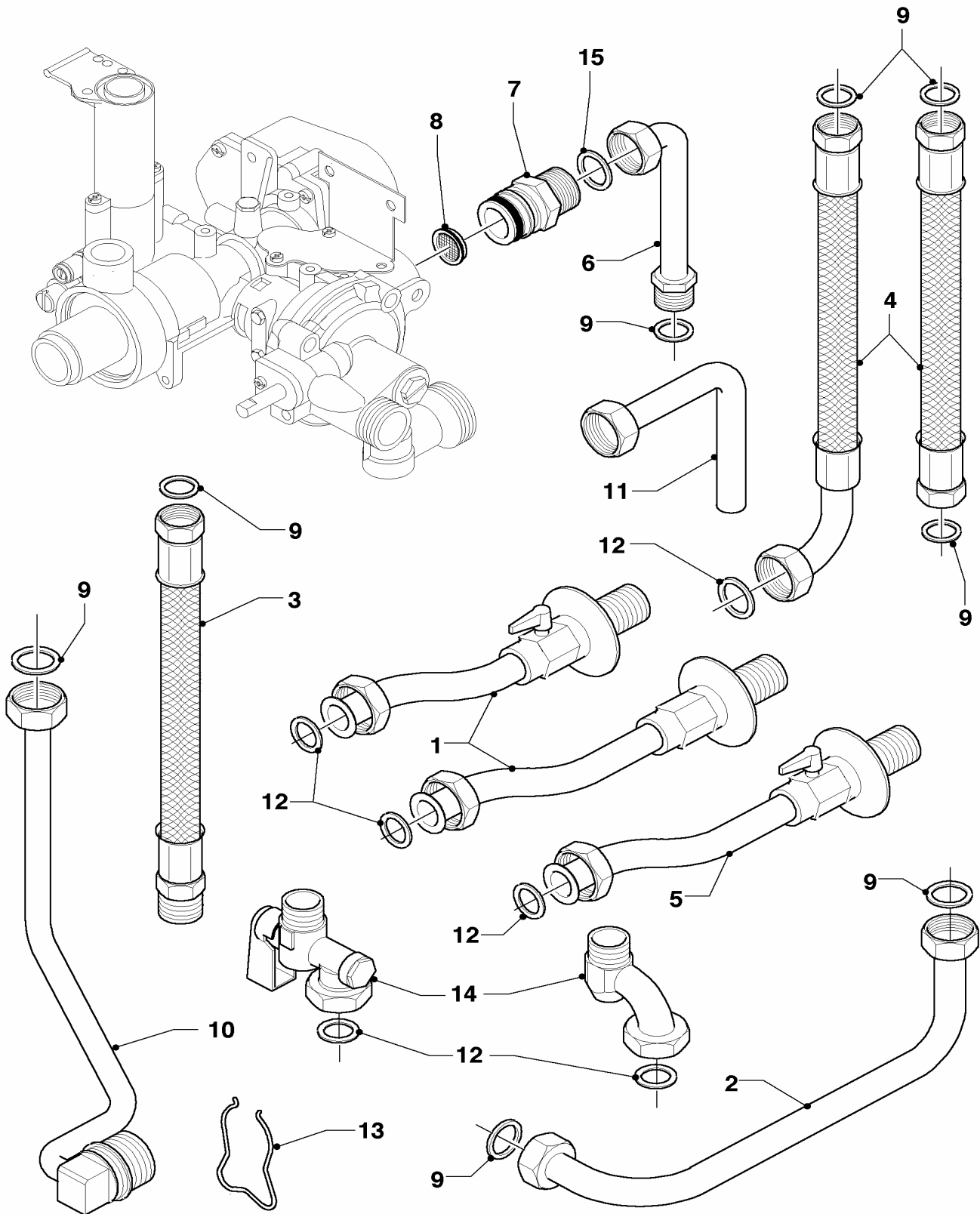
Subject to alteration !

Attention: Please take the gross price from the valid price list !

# 08a Connection parts

MAG INT mini 11-0/0 XZ

MAG INT 14-0/0 XZ



01 - 08 - 532.01

## 08a Connection parts

MAG INT mini 11-0/0 XZ

MAG INT 14-0/0 XZ

Pos.	Art.-No	Part	Type, note
		01-08-532	
01	-	-	not for this appliance
02	115184	cold water tube	MAG INT 14-0/0 XZ, with part 09
03	113858	connection tube,cpl.	with part 09
04	-	-	not for this appliance
05	-	-	not for this appliance
06	115298	tube, cpl.	
07	115265	gas connection, cpl.	
08	115299	gas filter	
09	981143	packingring (set of 10)	
10	-	-	not for this appliance
11	-	-	not for this appliance
12	-	-	Bauteil trifft für dieses Gerät nicht zu
13	-	-	not for this appliance
14	-	-	not for this appliance
15	117396	packingring (set of 10)	

Subject to alteration !

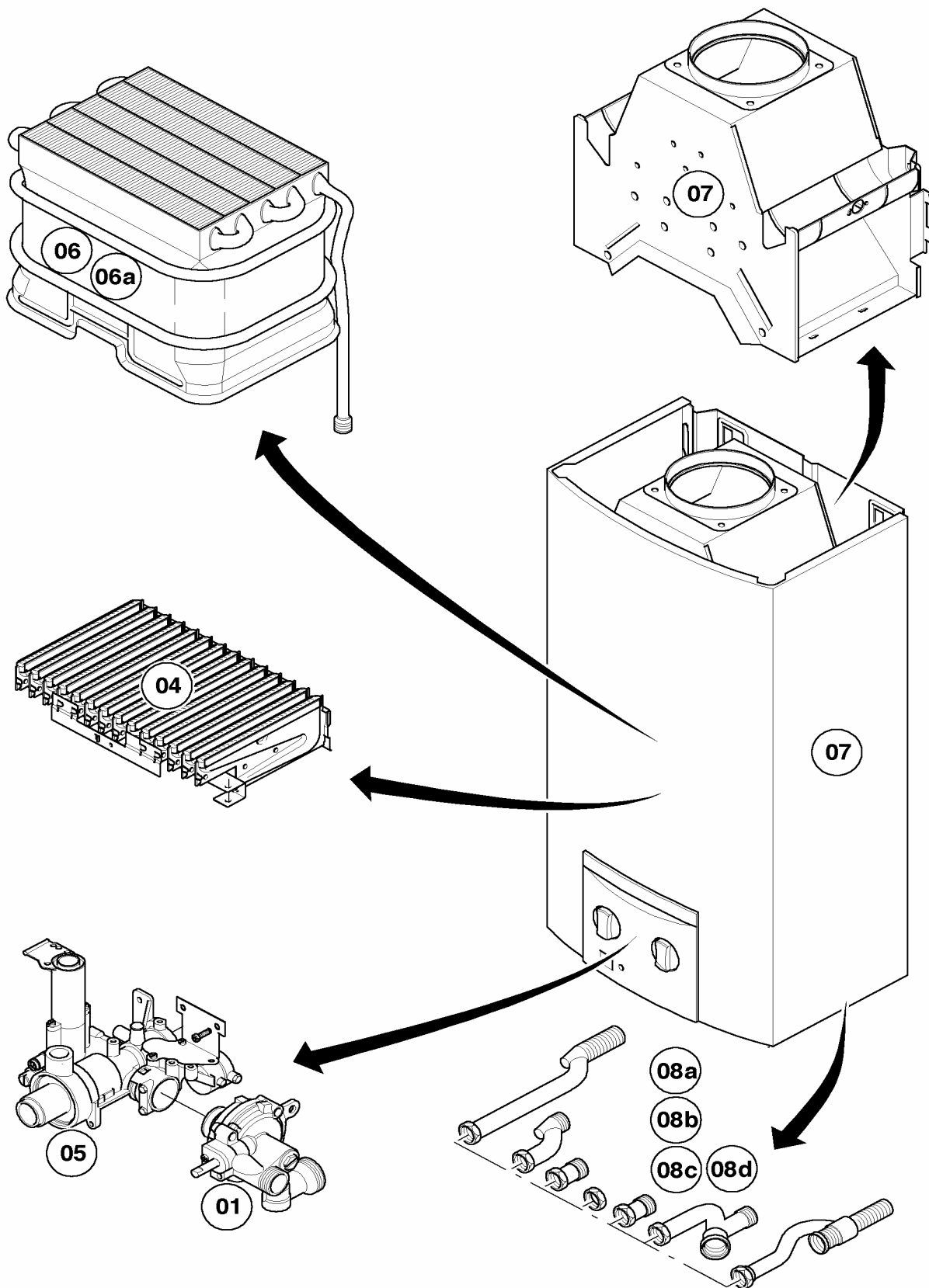
Attention: Please take the gross price from the valid price list !



# General view of sheet

MAG INT mini 11-0/0 XI

MAG INT 14-0/0 XI



01 - 00 - 533.01

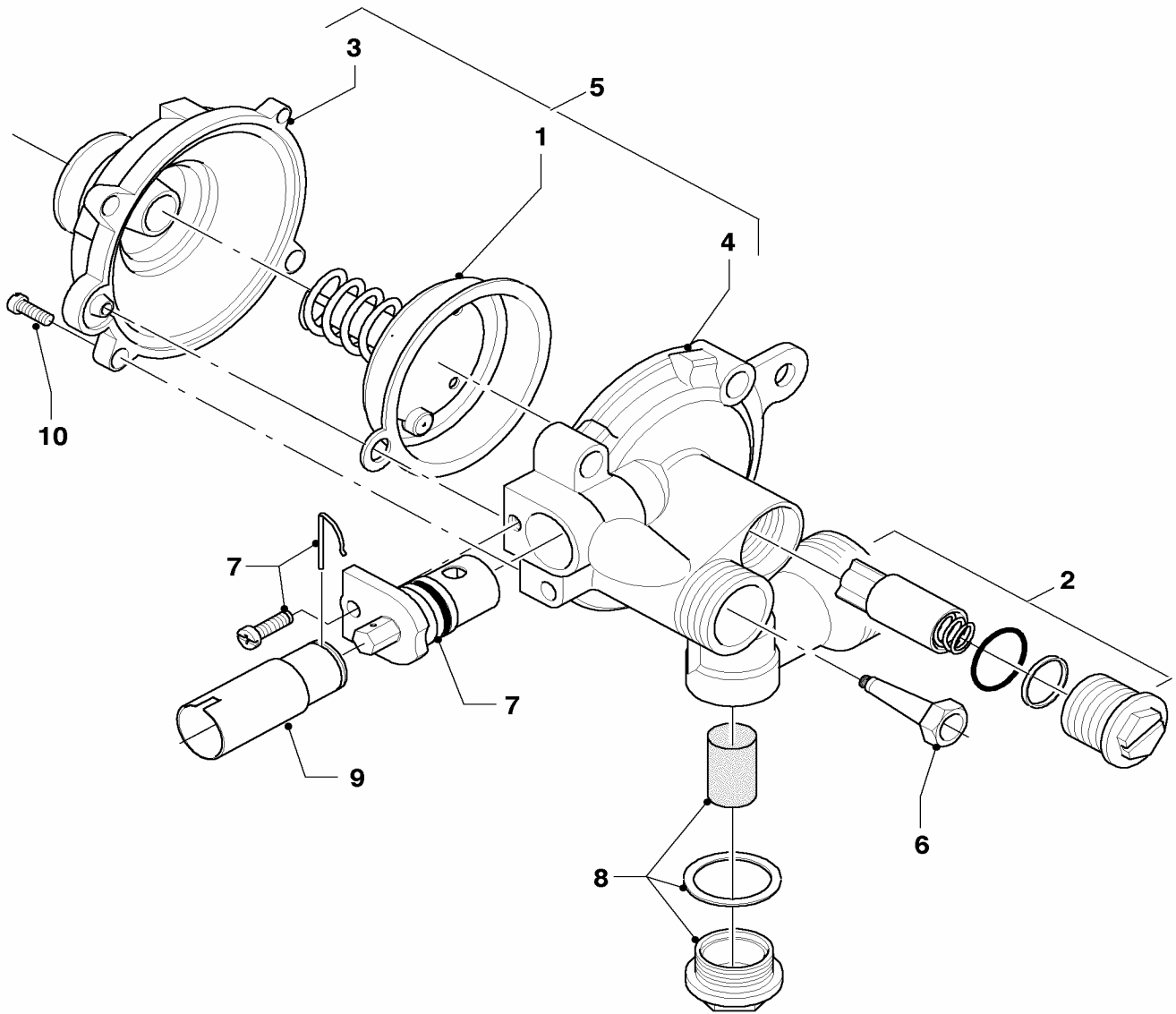
Subject to alteration !

Attention: Please take the gross price from the valid price list !

# 01 Water valve

MAG INT mini 11-0/0 XI

MAG INT 14-0/0 XI



01 - 01 - 516

## 01 Water valve

MAG INT mini 11-0/0 XI

MAG INT 14-0/0 XI

Pos.	Art.-No	Part	Type, note
		01-01-516	
01	115300	diaphragm cpl.	MAG INT mini 11-0/0 XI
01	111718	diaphragm cpl.	MAG INT 14-0/0 XI
02	115301	water quantity regulator, cpl.	
03	115302	water valve - upper part	
04	115303	lower part	
05	115304	water valve, cpl.	MAG INT mini 11-0/0 XI, with parts 01, 02, 03, 04, 06, 07, 08 and 10
05	115305	water valve, cpl.	MAG INT 14-0/0 XI, with parts 01, 02, 03, 04, 06, 07, 08 and 10
06	115311	venturi	MAG INT mini 11-0/0 XI
06	115313	venturi	MAG INT 14-0/0 XI
07	115314	temperature selector	MAG INT mini 11-0/0 XI
07	115315	temperature selector	MAG INT 14-0/0 XI
08	115318	water filter	
09	115166	adapter, cpl.	MAG INT mini 11-0/0 XI
09	115167	adapter, cpl.	MAG INT 14-0/0 XI
10	115320	screw, cpl. (5 p.)	

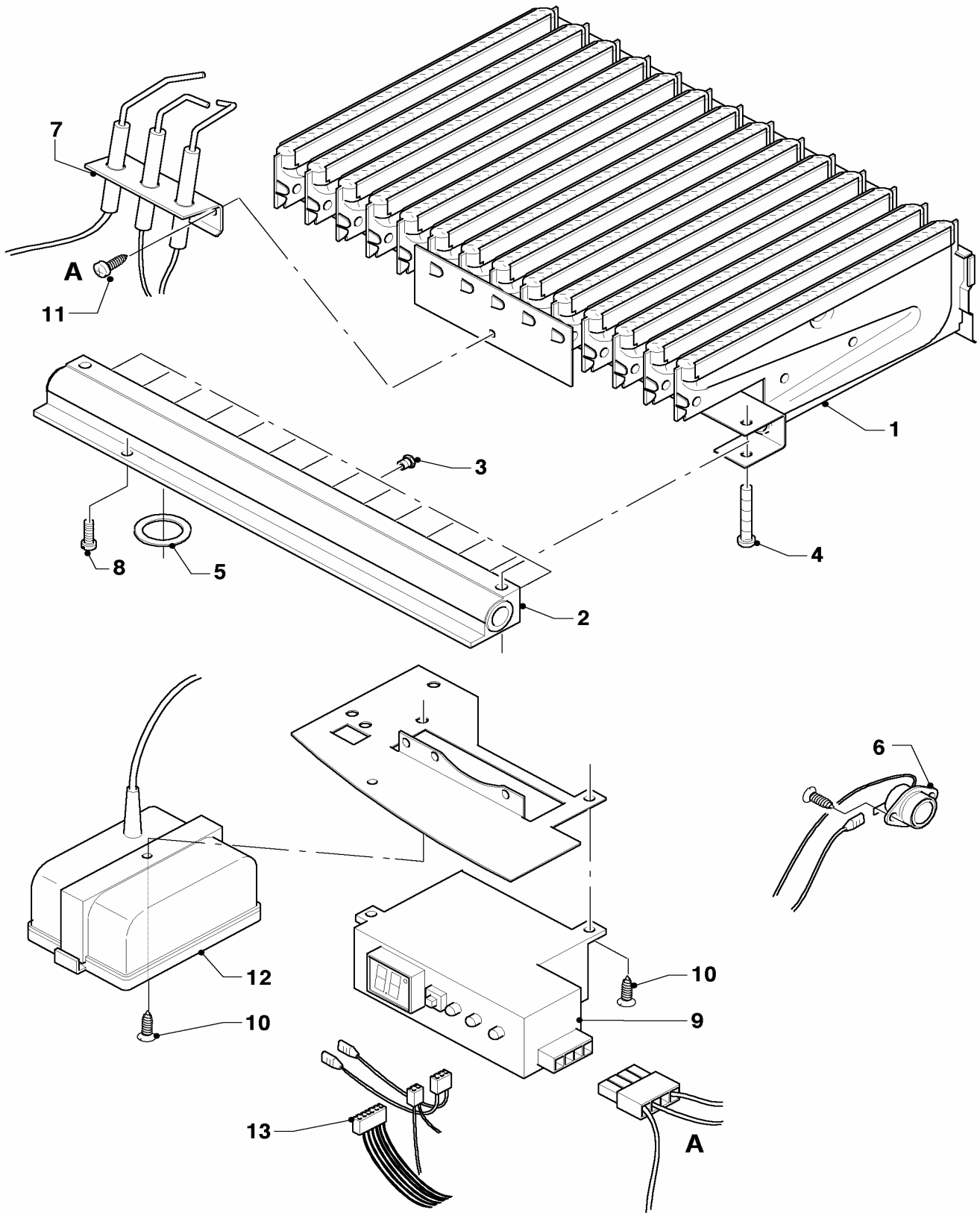
Subject to alteration !

Attention: Please take the gross price from the valid price list !

# 04 Burner

MAG INT mini 11-0/0 XI

MAG INT 14-0/0 XI



01 - 04 - 541



## 04 Burner

MAG INT mini 11-0/0 XI

MAG INT 14-0/0 XI

Pos.	Art.-No	Part	Type, note
		01-04-541	
01	115189	burner chamber group, cpl.	MAG INT mini 11-0/0 XI, with part 04
01	115190	burner chamber group, cpl.	MAG INT 14-0/0 XI, with part 04
02	115191	burner support, cpl.	MAG INT mini 11-0/0 XI, with parts 04, 05, 15
02	115193	burner support, cpl.	MAG INT 14-0/0 XI, with parts 04, 05, 15
03	291202	burner nozzle cpl. (12 p.)	MAG INT mini 11-0/0 XI H
03	291203	burner nozzle cpl. (12 p.)	MAG INT mini 11-0/0 XI B
03	291204	burner nozzle cpl. (14 p.)	MAG INT 14-0/0 XI H
03	291205	burner nozzle cpl. (14 p.)	MAG INT 14-0/0 XI B
04	105831	cylinder screw, cpl. (10 p.)	
05	981125	packingring cpl. (set of 10)	
06	115235	sensor, cpl. (TTB)	MAG INT mini 11-0/0 XI
06	115236	sensor, cpl. (TTB)	MAG INT 14-0/0 XI
07	509697	ignition electrode, cpl.	
08	105829	cylinder screw, cpl. (10 p.)	
09	115257	flame supervision device, cpl.	LED, with part 10
10	105834	cylinder screw, cpl. (10 p.)	
11	115198	cylinder screw, cpl. (10 p.)	
12	115264	battery casing	
13	115258	cable tree	

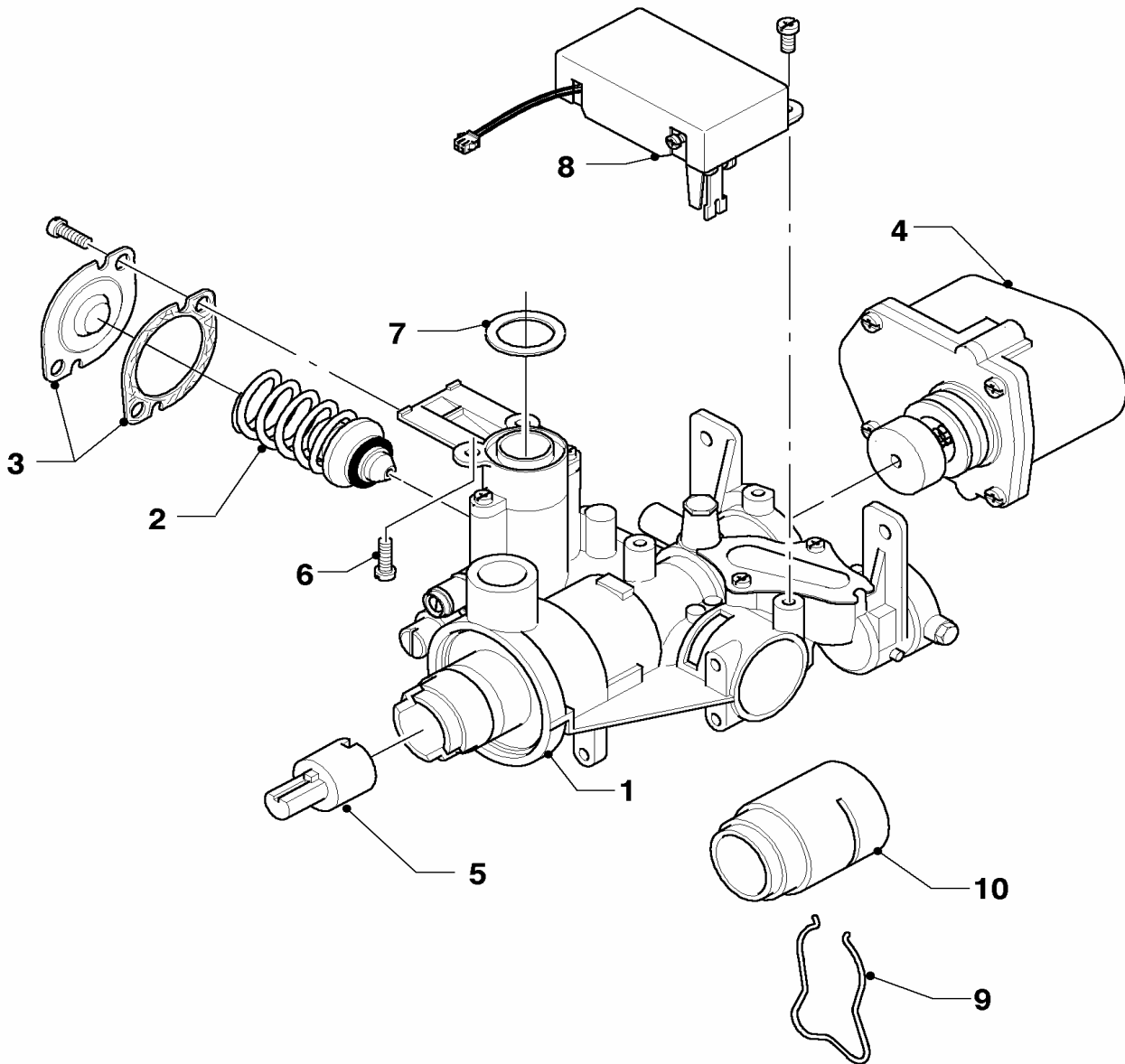
Subject to alteration !

Attention: Please take the gross price from the valid price list !

## 05 Gas section

MAG INT mini 11-0/0 XI

MAG INT 14-0/0 XI



01 - 02 - 515

## 05 Gas section

MAG INT mini 11-0/0 XI

MAG INT 14-0/0 XI

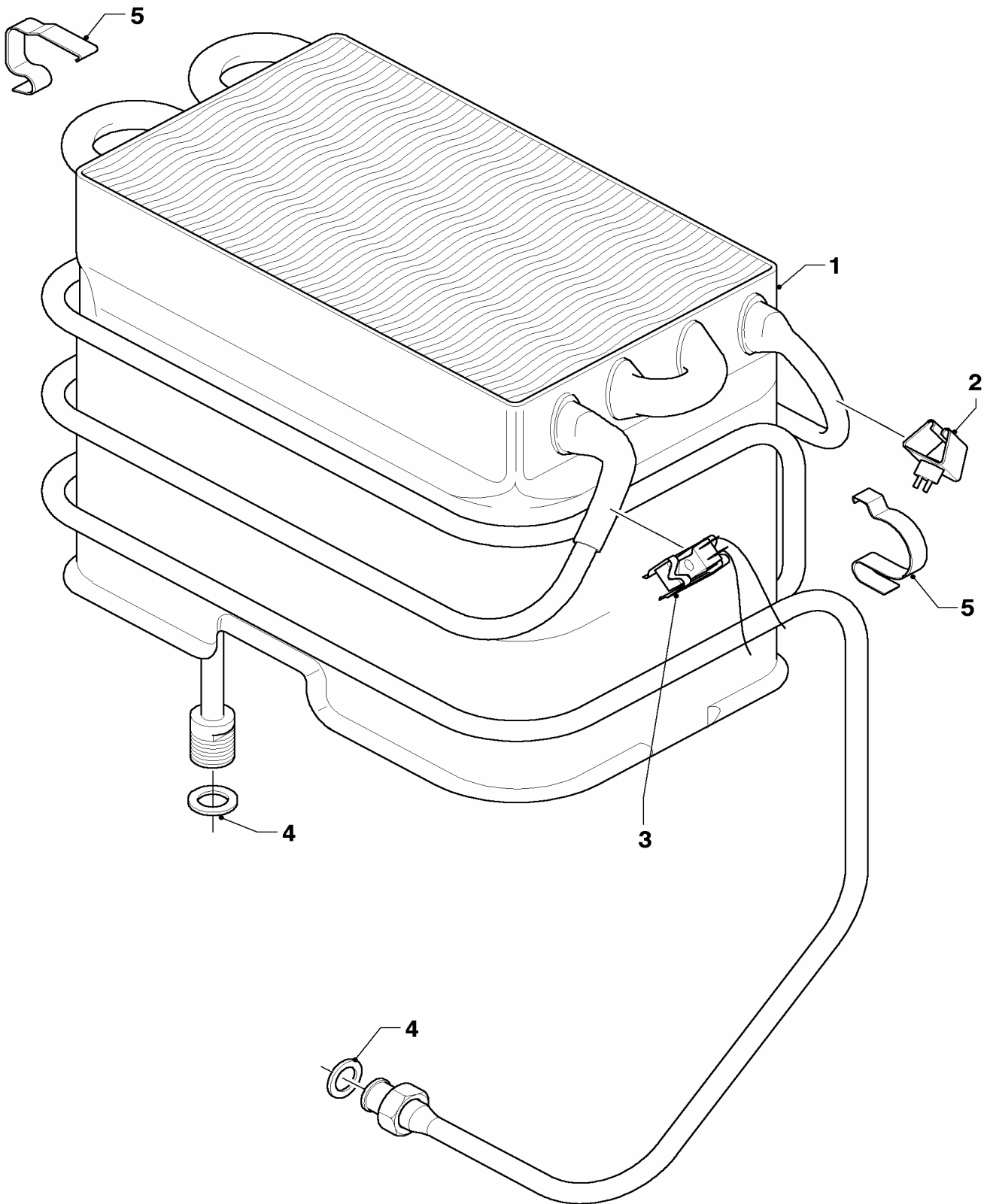
Pos.	Art.-No	Part	Type, note
		01-02-515	
00	311812	conversion kit of H	MAG INT mini 11-0/0 XI
00	311816	conversion kit of PB	MAG INT mini 11-0/0 XI
00	311820	conversion kit of PB	MAG INT 14-0/0 XI
00	311821	conversion kit of H	MAG INT 14-0/0 XI
00	311822	conversion kit of H	MAG INT 14-0/0 XI
01	111721	gas section, cpl.	MAG INT mini 11-0/0 XI H, with parts 02, 03, 05, 06 and 07
01	117245	gas section, cpl.	MAG INT 14-0/0 XI H, with parts 02, 03, 05, 06 and 07
01	117252	gas section, cpl.	MAG INT mini 11-0/0 XI B, with parts 02, 03, 05, 06 and 07
01	117253	gas section, cpl.	MAG INT 14-0/0 XI B, with parts 02, 03, 05, 06 and 07
02	115323	water deficiency valve	MAG INT mini 11-0/0 XI H
02	115324	water deficiency valve	MAG INT 14-0/0 XI H
02	115327	water deficiency valve	MAG INT mini 11-0/0 XI B
02	115328	water deficiency valve	MAG INT 14-0/0 XI B
03	115329	cover and packingring	
04	115363	servo(motor)	H
04	115371	servo(motor)	B
05	115168	adapter, cpl.	MAG INT 14-0/0 XI
06	105829	cylinder screw, cpl. (10 p.)	
07	981125	packingring cpl. (set of 10)	
08	111715	microswitch, cpl.	
09	-	-	not for this appliance
10	-	-	not for this appliance

Subject to alteration !

Attention: Please take the gross price from the valid price list !

# 06 Heat exchanger 11I

MAG INT mini 11-0/0 XI



01 - 06 - 512

## 06 Heat exchanger 11l

MAG INT mini 11-0/0 XI

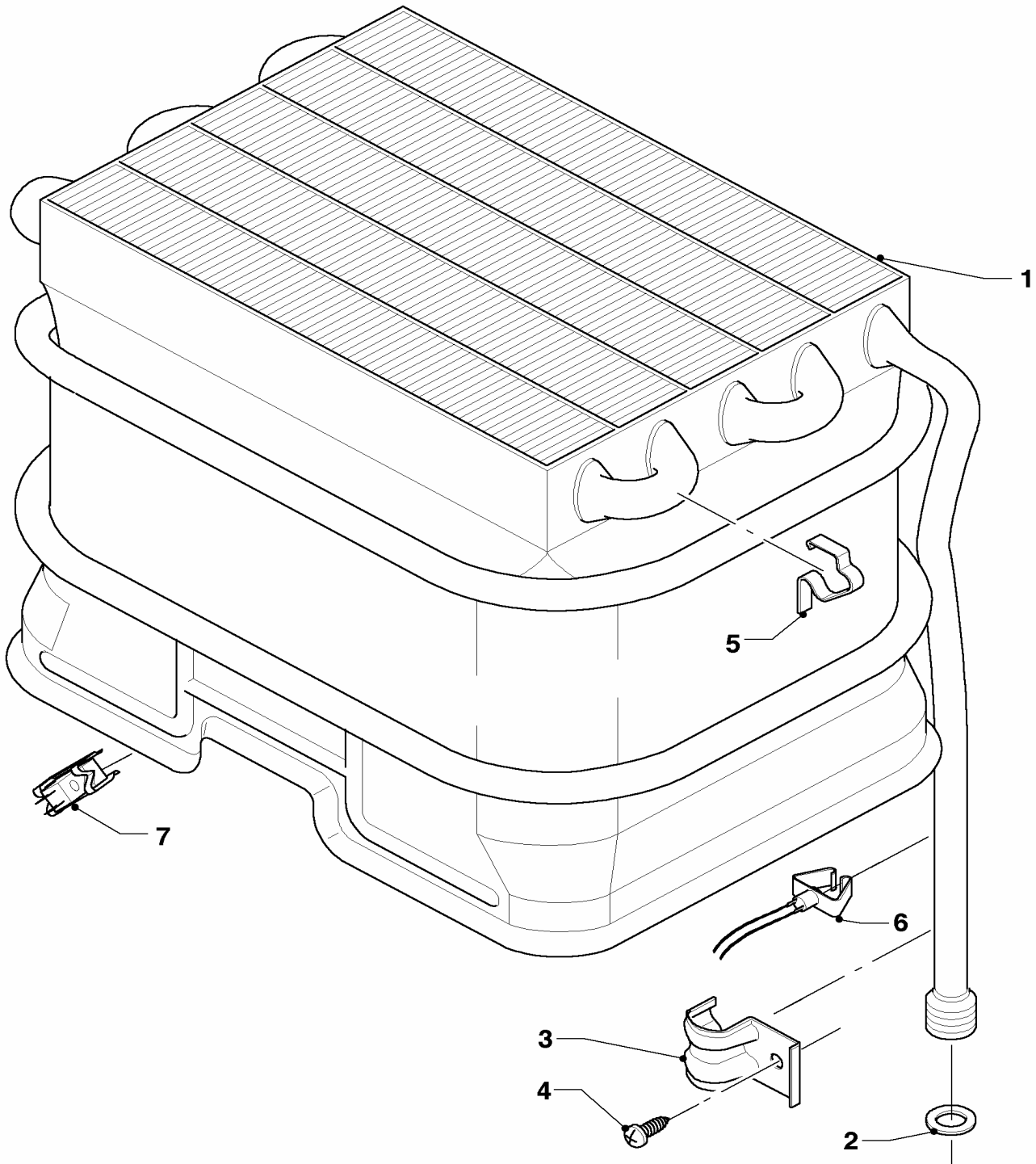
Pos.	Art.-No	Part	Type, note
		01-06-512	
01	115174	heat exchanger, cpl.	MAG INT mini 11-0/0 XI, with parts 04, 05
02	115235	sensor, cpl. (TTB)	
03	115261	cable tree (NTC)	
04	981143	packingring (set of 10)	
05	139702	spring clamp (10 p.)	

Subject to alteration !

Attention: Please take the gross price from the valid price list !

# 06a Heat exchanger 14l

MAG INT 14-0/0 XI



01 - 06 - 513

# 06a Heat exchanger 14I

MAG INT 14-0/0 XI

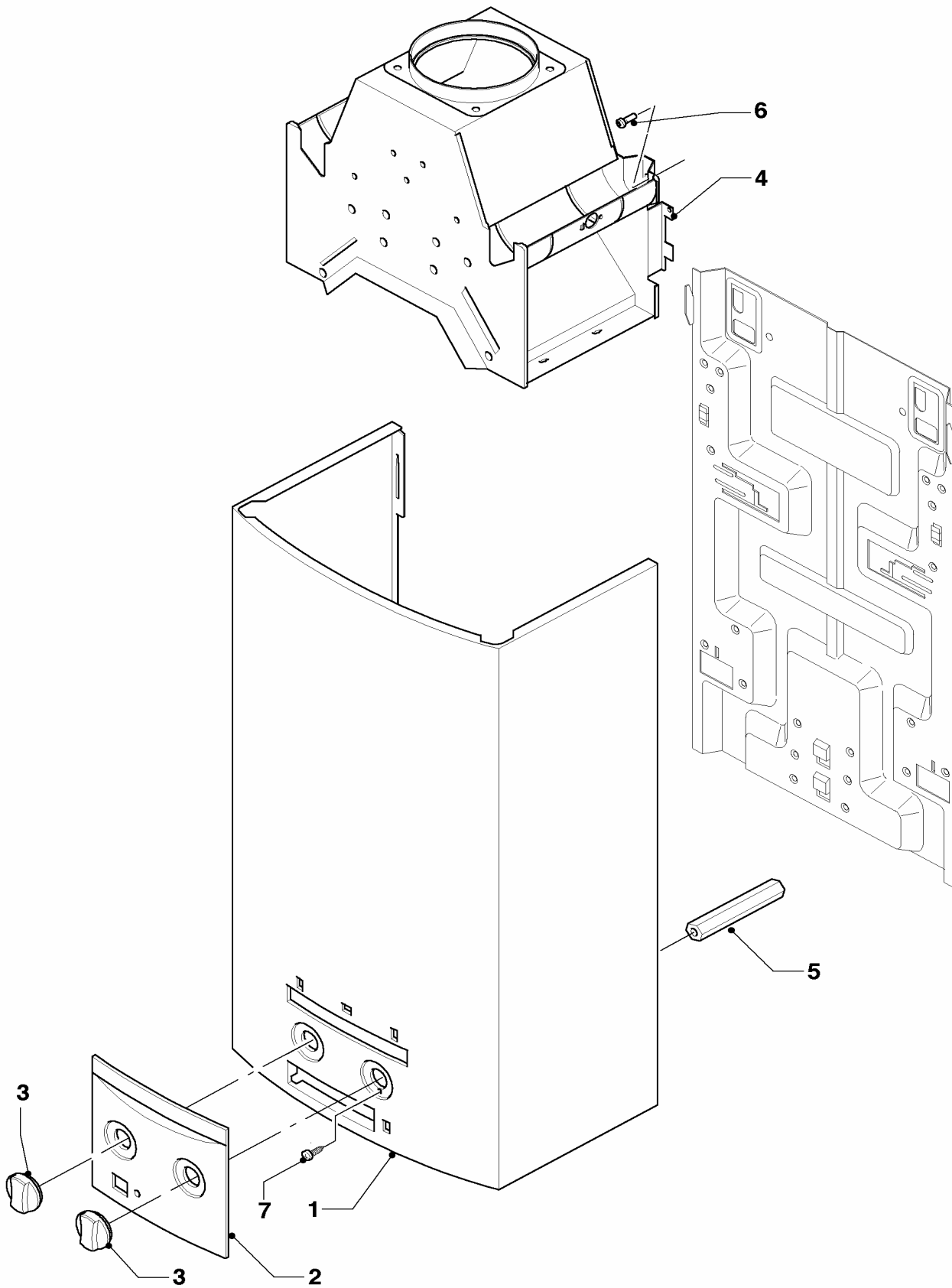
Pos.	Art.-No	Part	Type, note
		01-06-513	
01	061639	heat exchanger, cpl.	MAG INT 14-0/0 XI, with part 02, 05
02	981143	packingring (set of 10)	
03	086133	spring clamp	
04	235727	screw	
05	139702	spring clamp (10 p.)	
06	115236	sensor, cpl. (TTB)	
07	115263	cable tree (NTC)	

Subject to alteration !

Attention: Please take the gross price from the valid price list !

## 07 Casing parts

MAG INT mini 11-0/0 XI  
MAG INT 14-0/0 XI



01 - 07 - 554



## 07 Casing parts

MAG INT mini 11-0/0 XI

MAG INT 14-0/0 XI

Pos.	Art.-No	Part	Type, note
		01-07-554	
01	115141	cowling, cpl.	MAG INT mini 11-0/0 XI
01	115148	cowling, cpl.	MAG INT 14-0/0 XI
02	115157	covering plate, cpl.	
03	115164	knob, cpl.	
04	115188	draft diverter, cpl.	MAG INT mini 11-0/0 XI, with part 06
04	075086	draft diverter, cpl.	MAG INT 14-0/0 XI, with part 06
05	117257	distance piece	MAG INT 14-0/0 XI
06	105832	cylinder screw, cpl. (10 p.)	
07	105834	cylinder screw, cpl. (10 p.)	

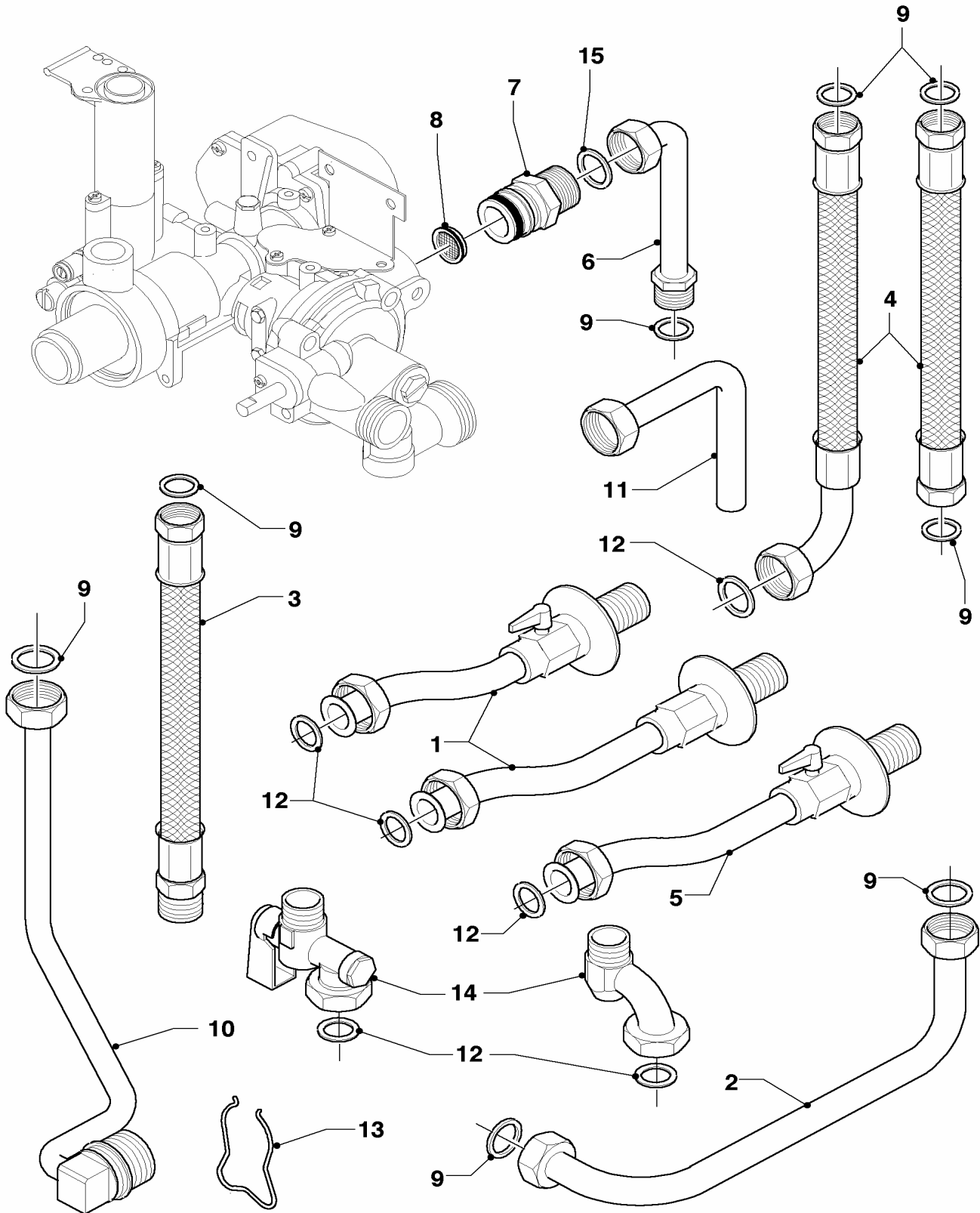
Subject to alteration !

Attention: Please take the gross price from the valid price list !

# 08a Connection parts

MAG INT mini 11-0/0 XI

MAG INT 14-0/0 XI



01 - 08 - 532.01

## 08a Connection parts

MAG INT mini 11-0/0 XI

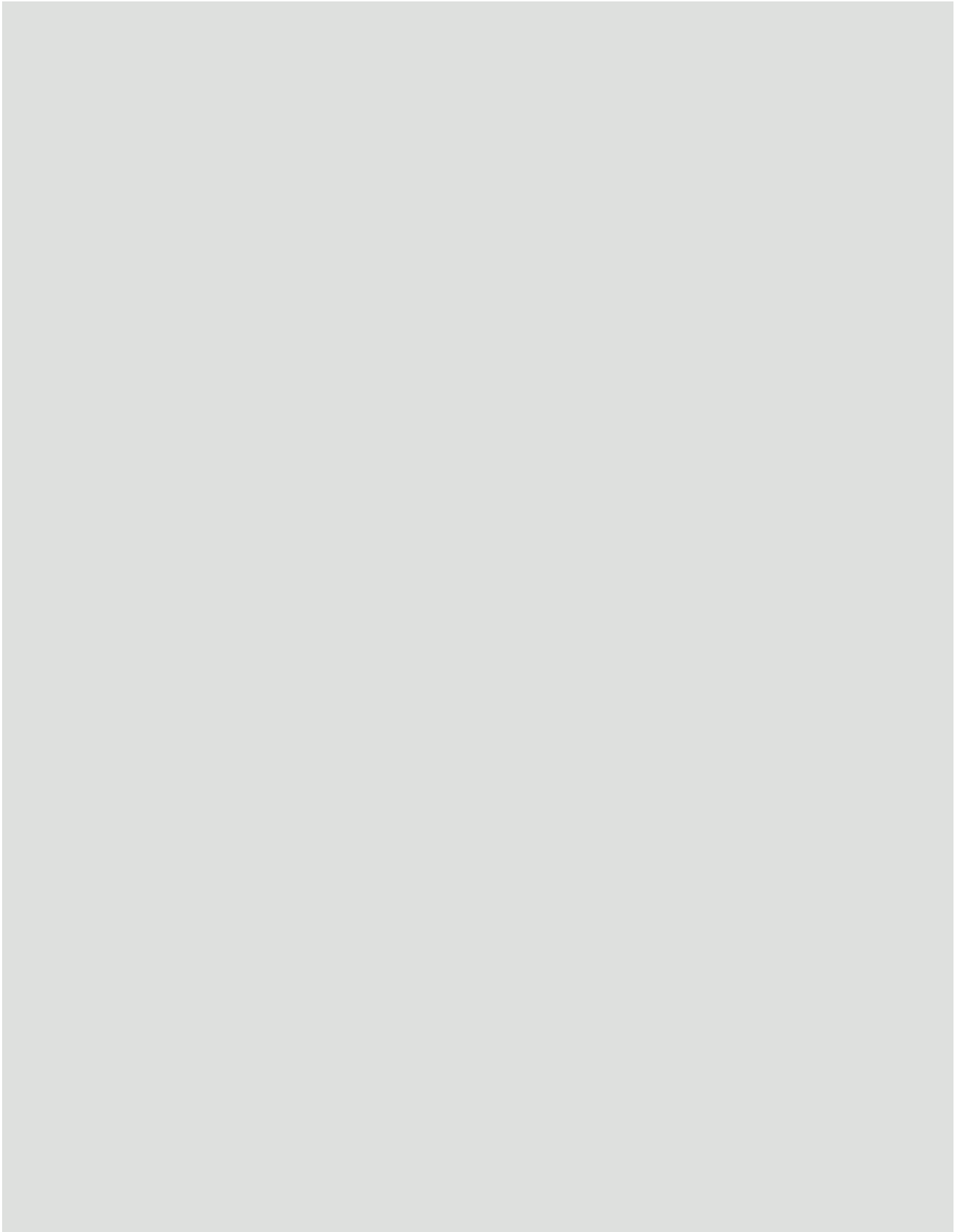
MAG INT 14-0/0 XI

Pos.	Art.-No	Part	Type, note
		01-08-532	
01	-	-	not for this appliance
02	115184	cold water tube	MAG INT 14-0/0 XI, with part 09
03	113858	connection tube,cpl.	with part 09
04	-	-	not for this appliance
05	-	-	not for this appliance
06	115298	tube, cpl.	
07	115265	gas connection, cpl.	
08	115299	gas filter	
09	981143	packingring (set of 10)	
10	-	-	not for this appliance
11	-	-	not for this appliance
12	-	-	Bauteil trifft für dieses Gerät nicht zu
13	-	-	not for this appliance
14	-	-	not for this appliance
15	117396	packingring (set of 10)	

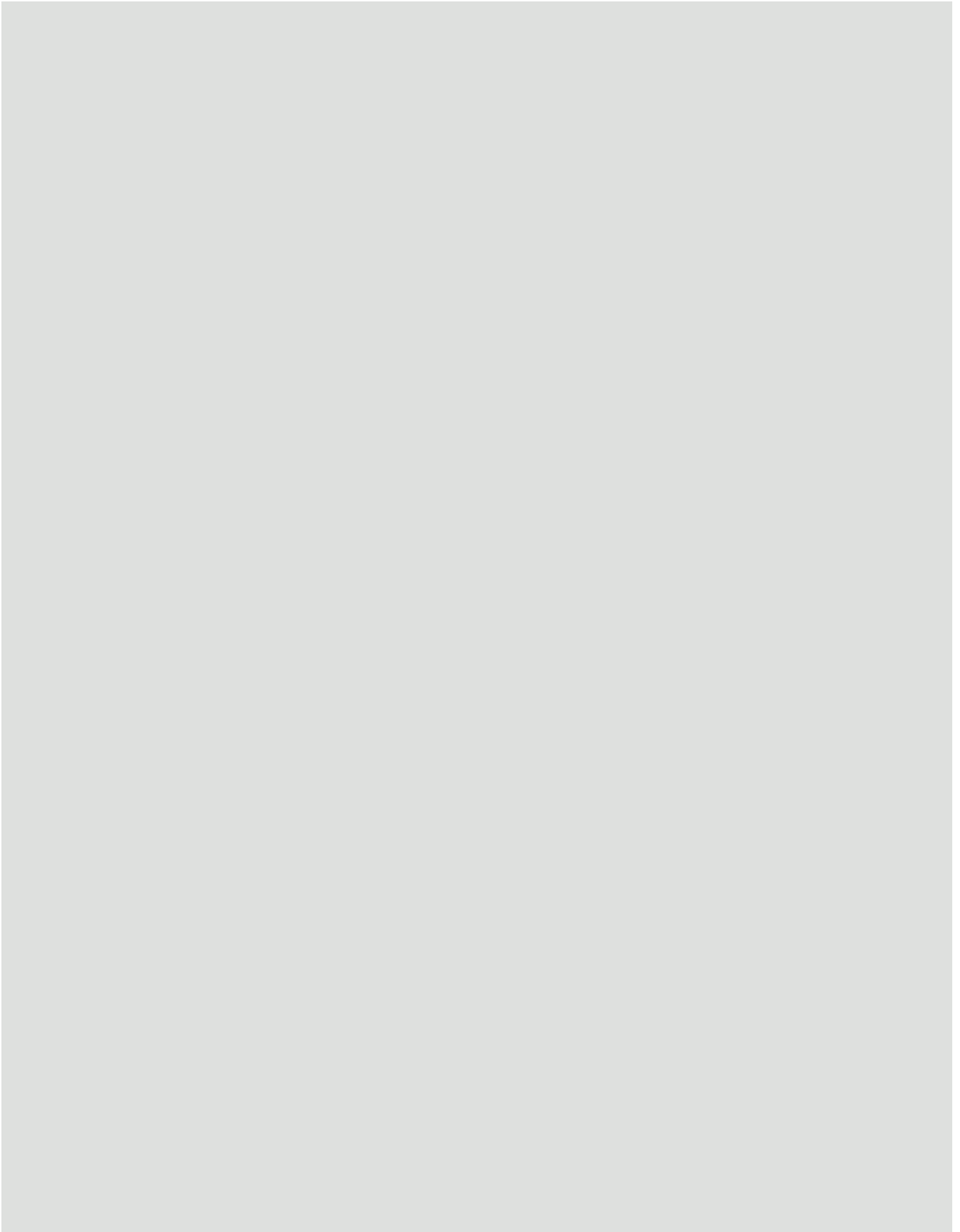
Subject to alteration !

Attention: Please take the gross price from the valid price list !

## Notes



## Notes



## Notes

