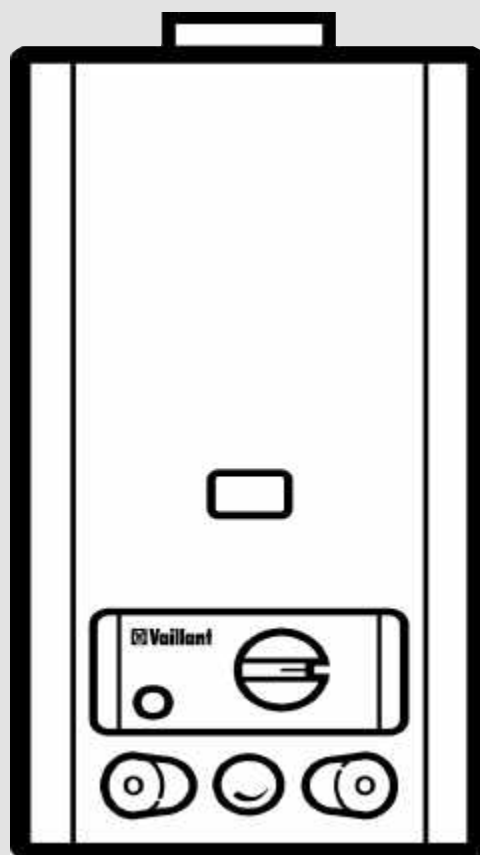


VAILLANT SPARE PART CATALOGUE

Instantaneous gas water heaters

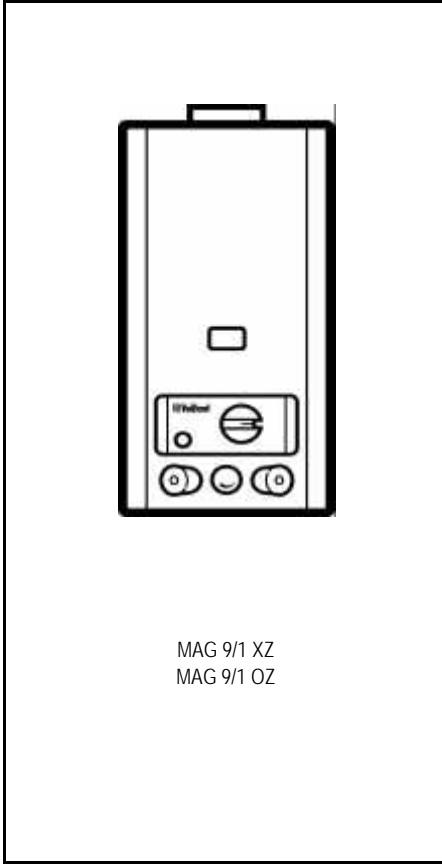
MAG 9/1 XZ

MAG 9/1 OZ



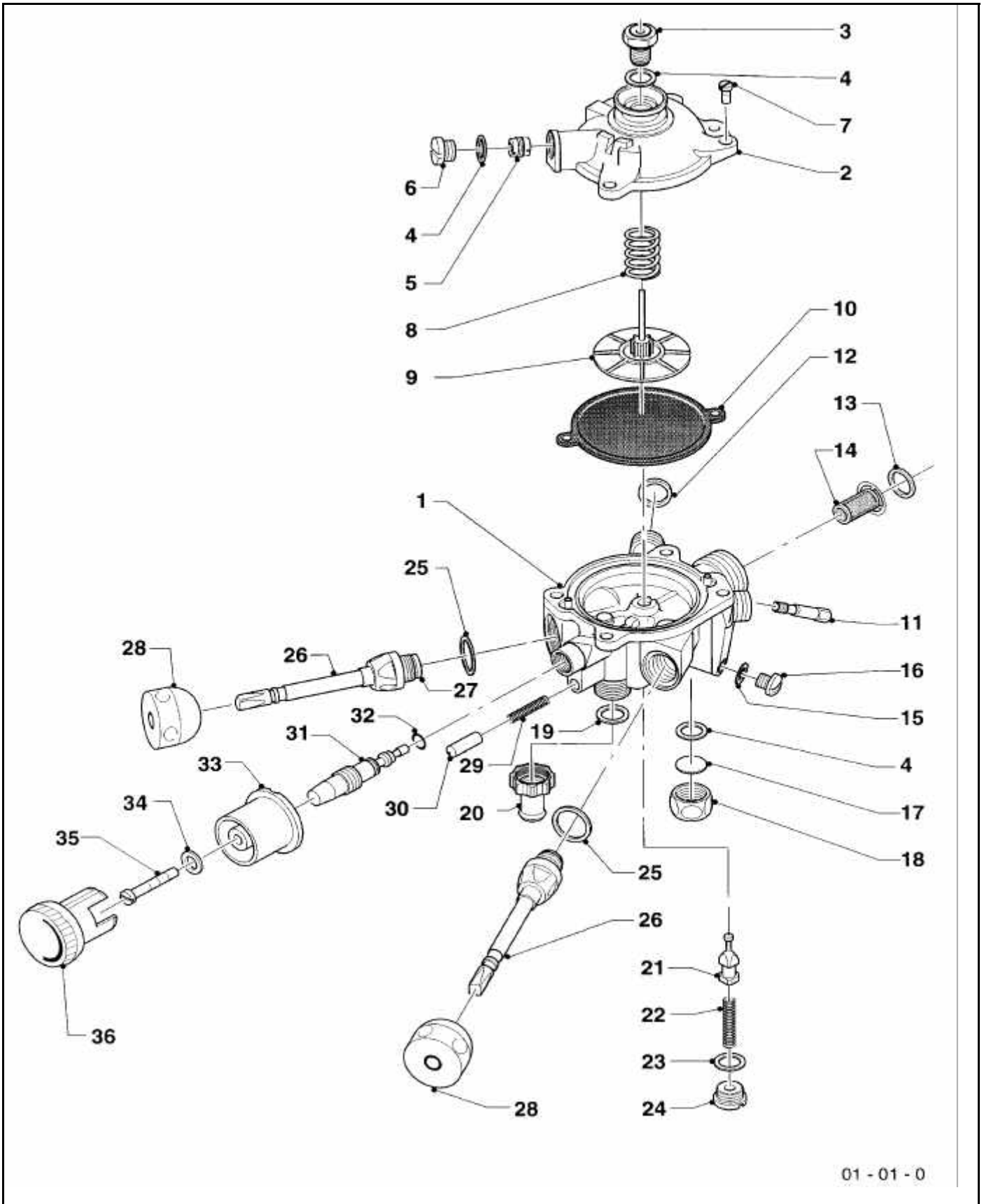
802756 00 GB 01/00

View of appliances



Main component 01 Water valve	1 - 2
Main component 02 Gas valve	3 - 4
Main component 04 Burner	5 - 8
Main component 06 Heat exchanger	9 - 12
Main component 07 Casing parts	13 - 14
Main component 08 Connection parts	15 - 16

Main component 01 Water valve
MAG 9/1 XZ B
MAG 9/1 OZ H, B



01 - 01 - 0

Pos. No.	Article-No.	Part	with parts	Type, Remarks
		Nr. 01010		
01	011282	watervalue	02 - 36	H

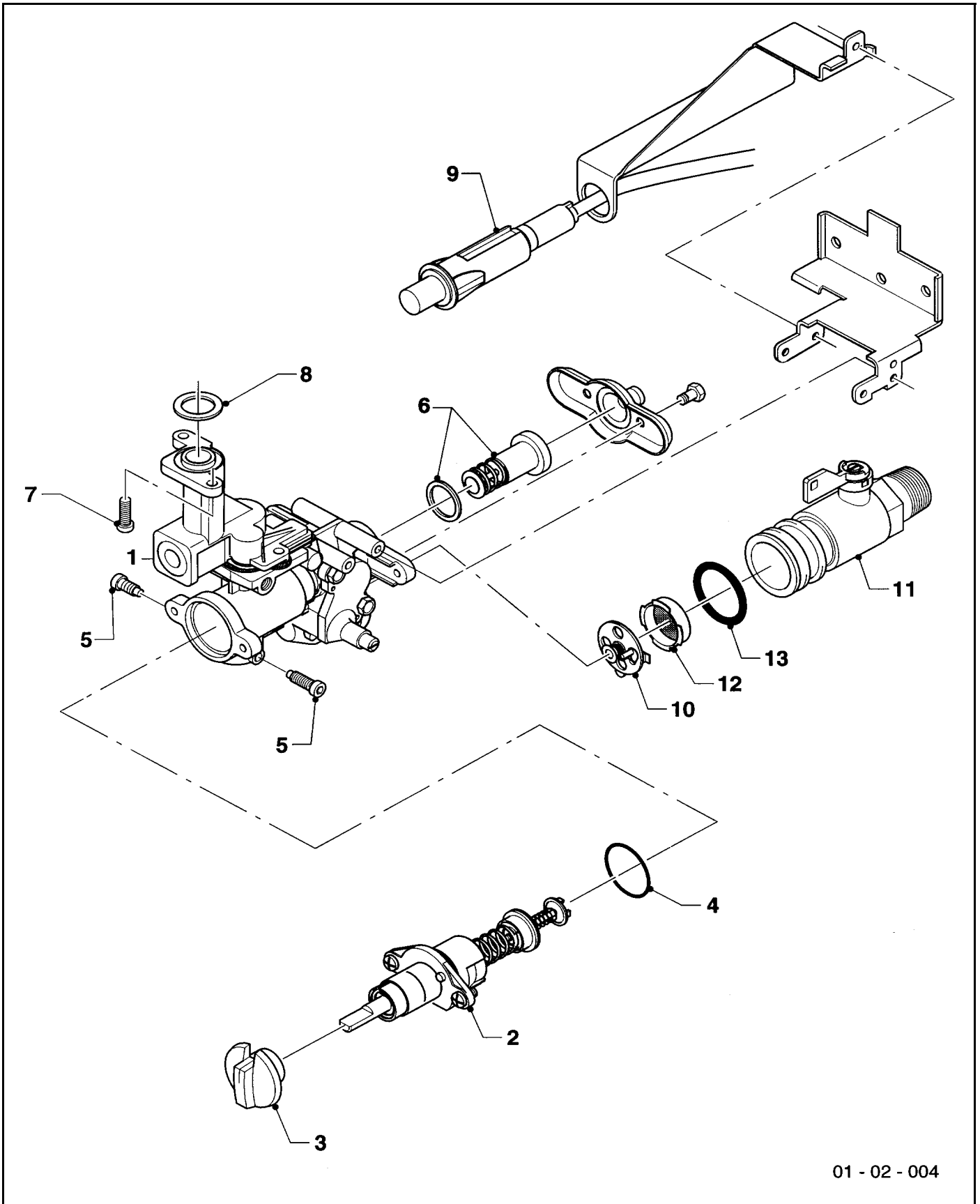
Main component 01 Water valve

MAG 9/1 XZ B

MAG 9/1 OZ H, B

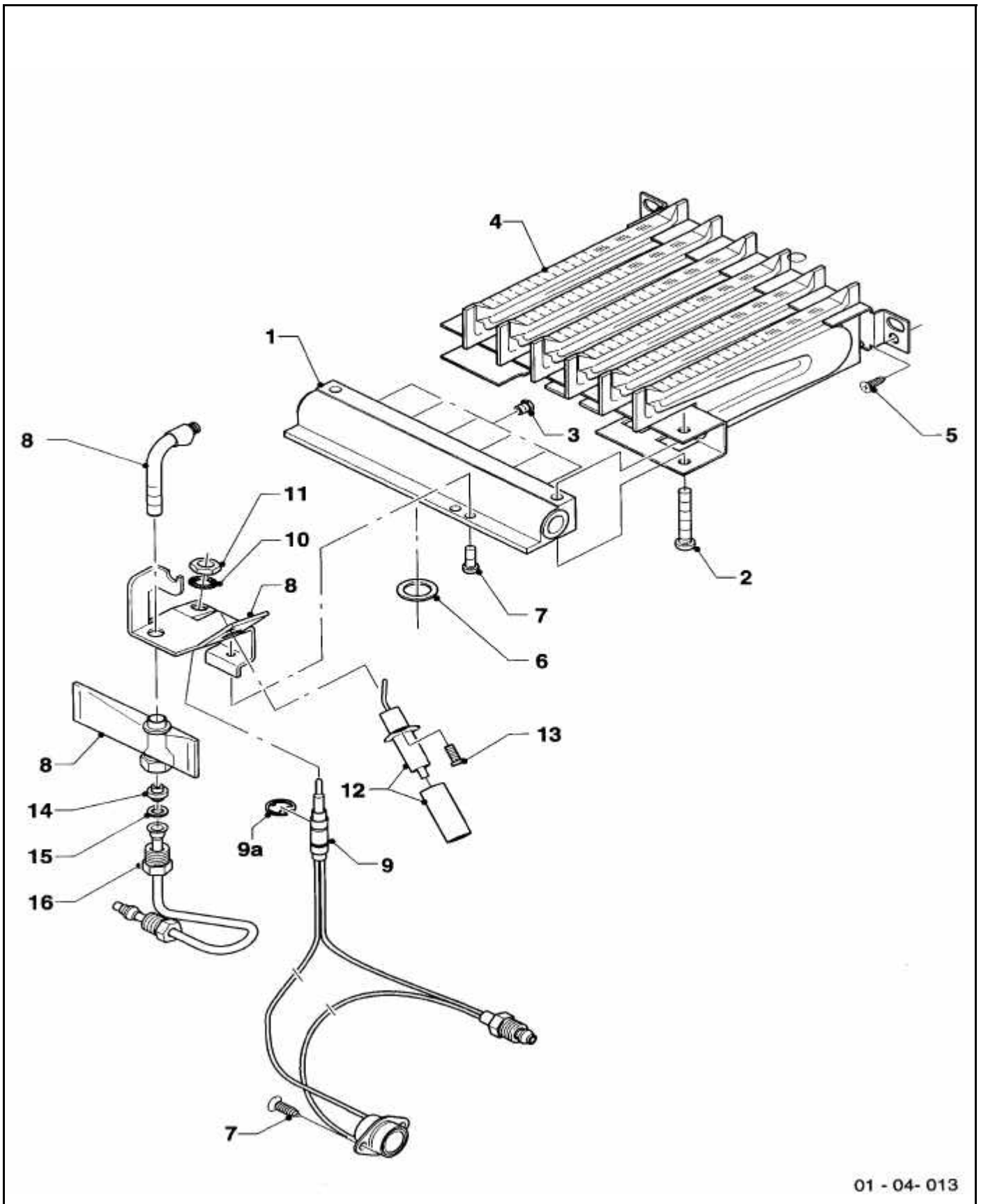
	001283	watervalve	02 - 36	B
02	013034	top section	03 - 06	
03	012156	stuffing box		
04	980185	packingring		
05	010216	slow ignition valve		
06	010050	screw		
07	010003	diaphragm screw		
08	010009	spring		
09	010006	diaphragm disc		
10	010320	diaphragm		
11	012806	venturi D = 2,12 mm		H
	010013	venturi D = 1,88 mm		B
12	980185	packingring		
13	980197	packingring		
14	010052	water filter		
15	980175	packingring		
16	010138	drain screw		
17	010141	disc		
18	010144	sleeve nut		
19	980186	packingring		
20	210943	socket		
21-24	144016	water quantity regulator		
25	980172	packingring		
26	012770	tap spindle set	25, 28	Set of 2
27	980288	packingring		
28	012009	handle set		
29	010085	spring		
30	010083	spring bolt		
31	010094	spindle	32	
32	980309	packingring		
33	250240	bush		
34	492112	disc		
35	060009	screw		
36	114280	knob		

Main component 02 Gas valve
MAG 9/1 XZ B
MAG 9/1 OZ H, B



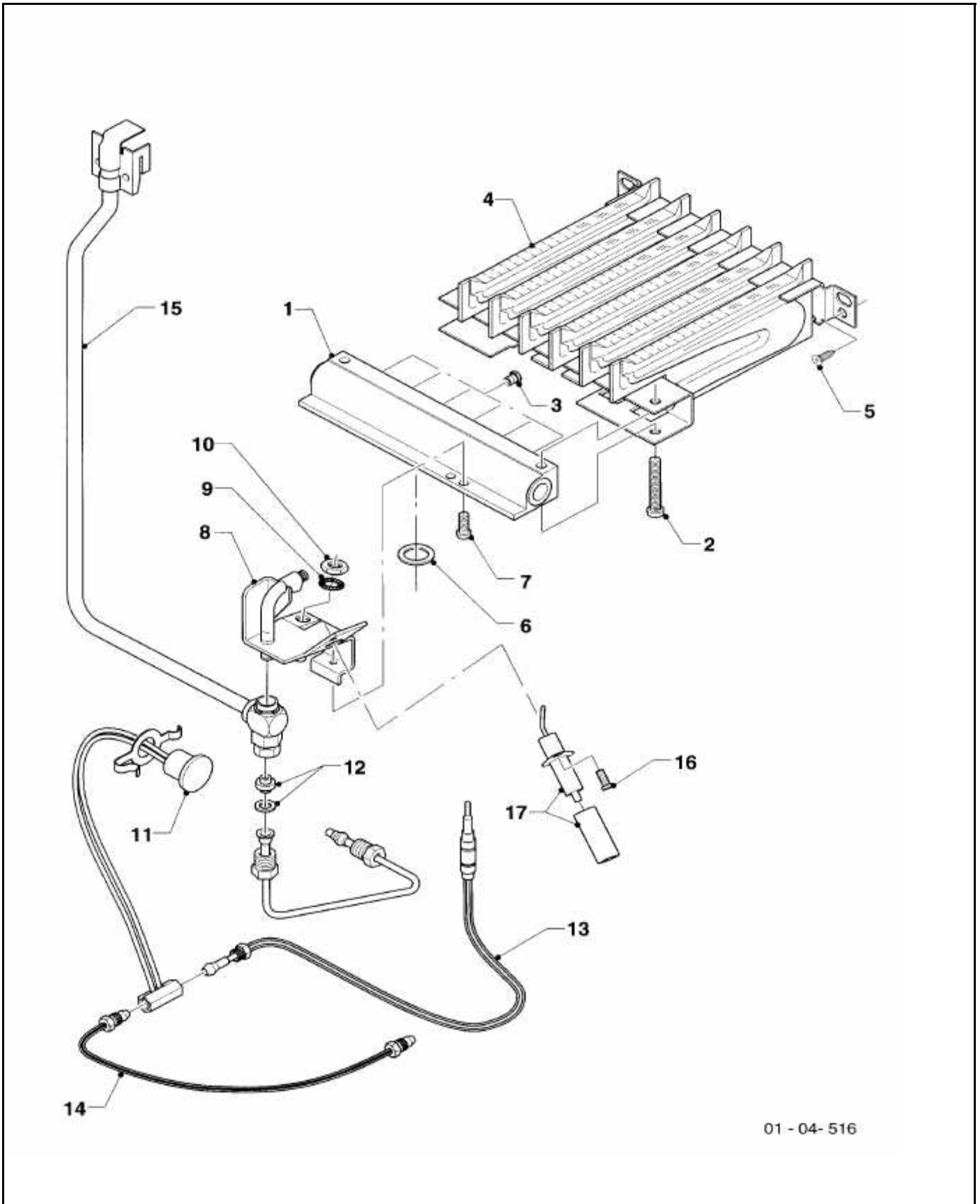
01 - 02 - 004

Main component 04 Burner
MAG 9/1 XZ B



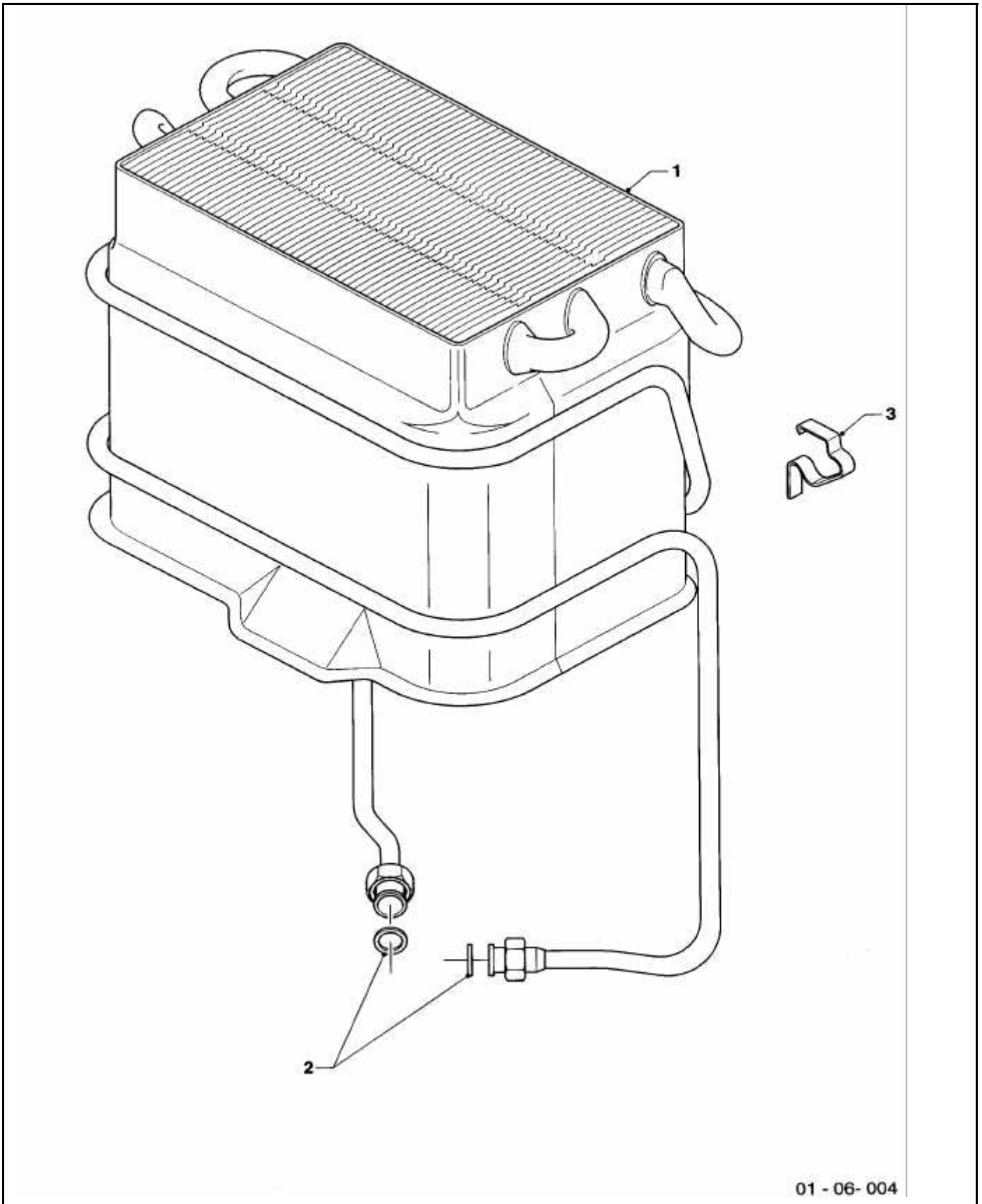
01 - 04 - 013

Main component 04 Burner
MAG 9/1 OZ H, B



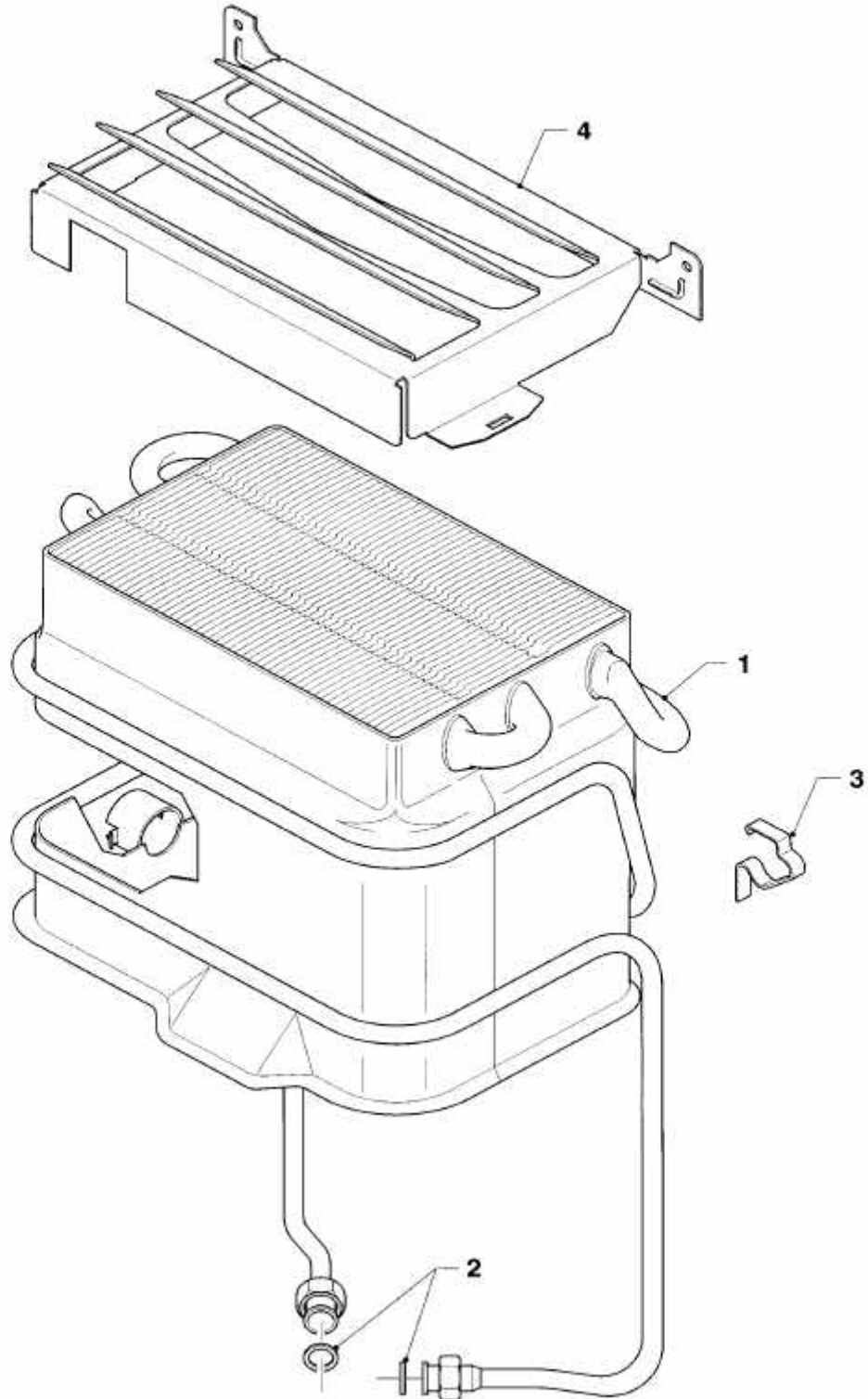
01 - 04 - 516

Main component 06 Heat exchanger
MAG 9/1 XZ B



01 - 06 - 004

Main component 06 Heat exchanger
MAG 9/1 OZ H, B



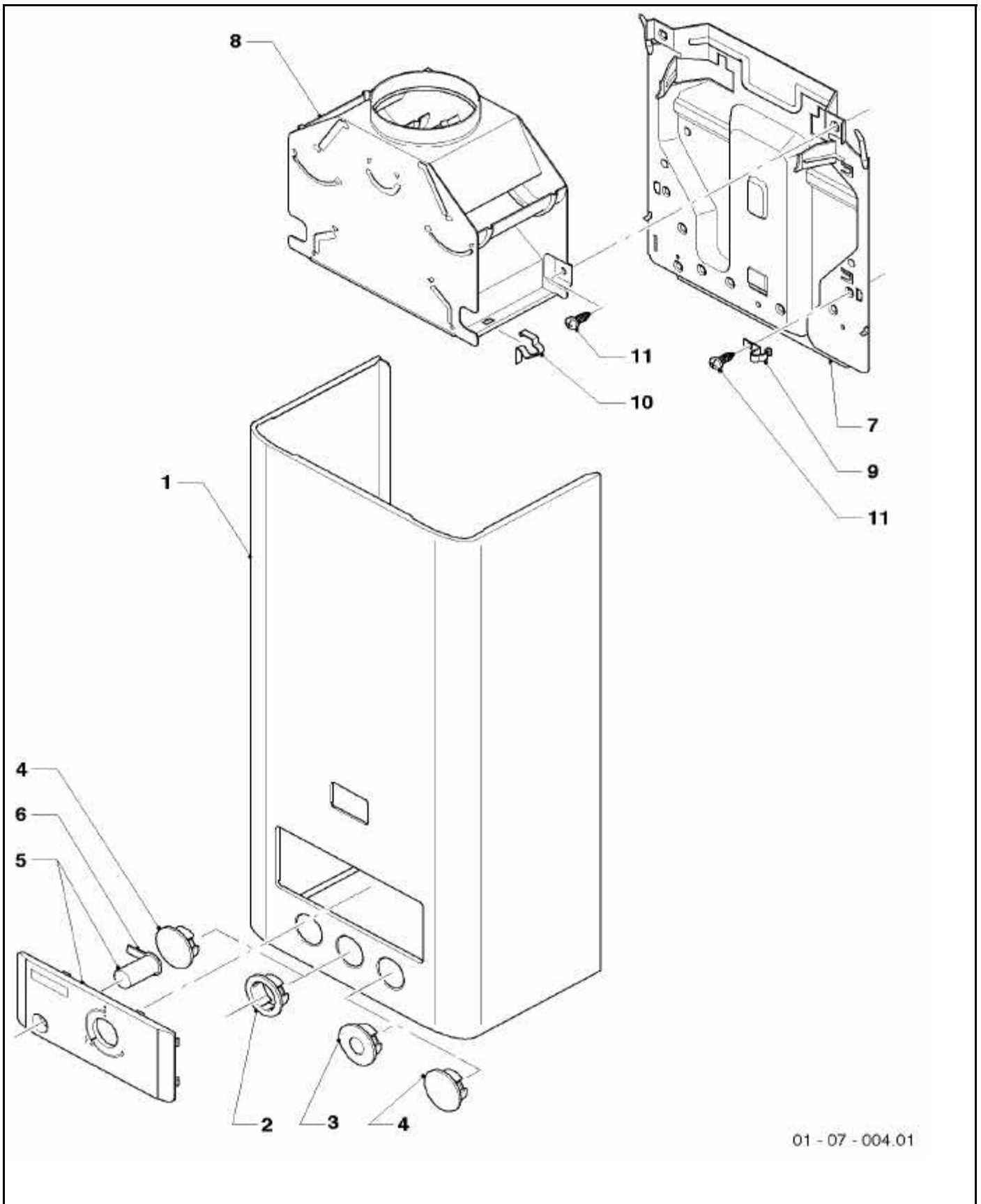
01 - 06 - 507

Pos. No.	Article-No.	Part	with parts	Type, Remarks
		Nr. 0106507		
01	067240	heat exchanger	02	

Main component 07 Casing parts

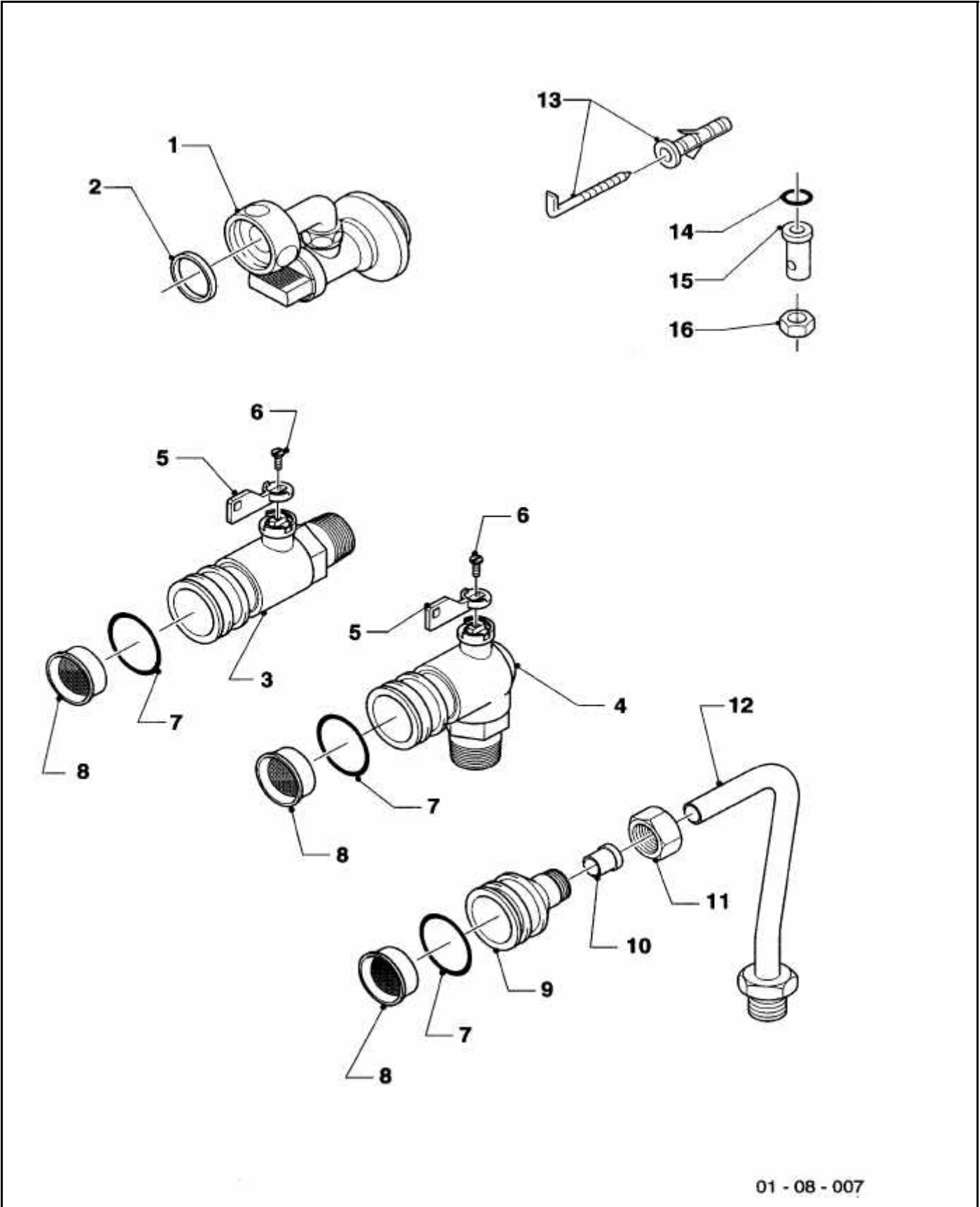
MAG 9/1 XZ B

MAG 9/1 OZ H, B



01 - 07 - 004.01

Main component 08 Connection parts
MAG 9/1 XZ B
MAG 9/1 OZ H, B



01 - 08 - 007

