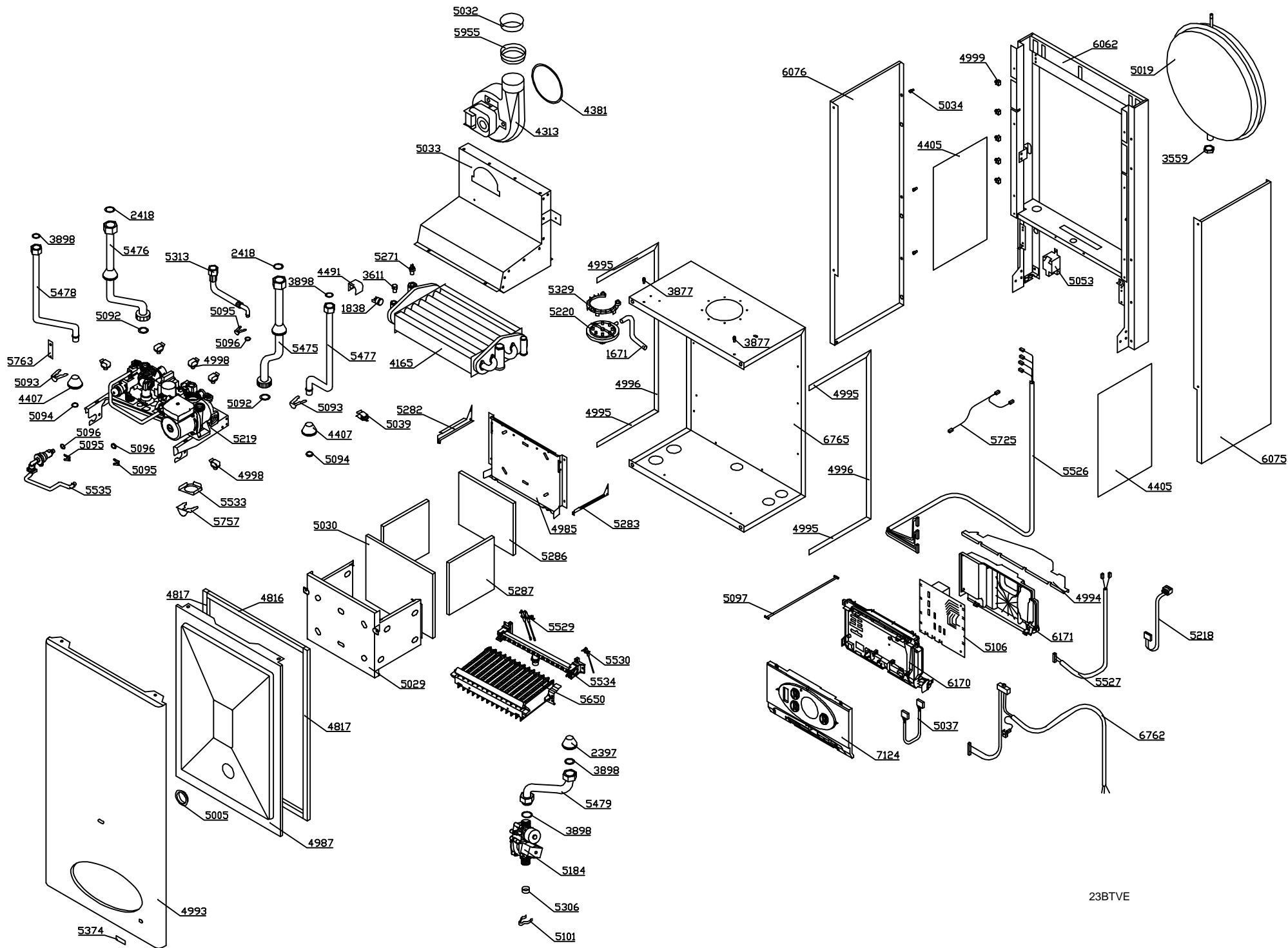


23BTVE - RENOVA STAR

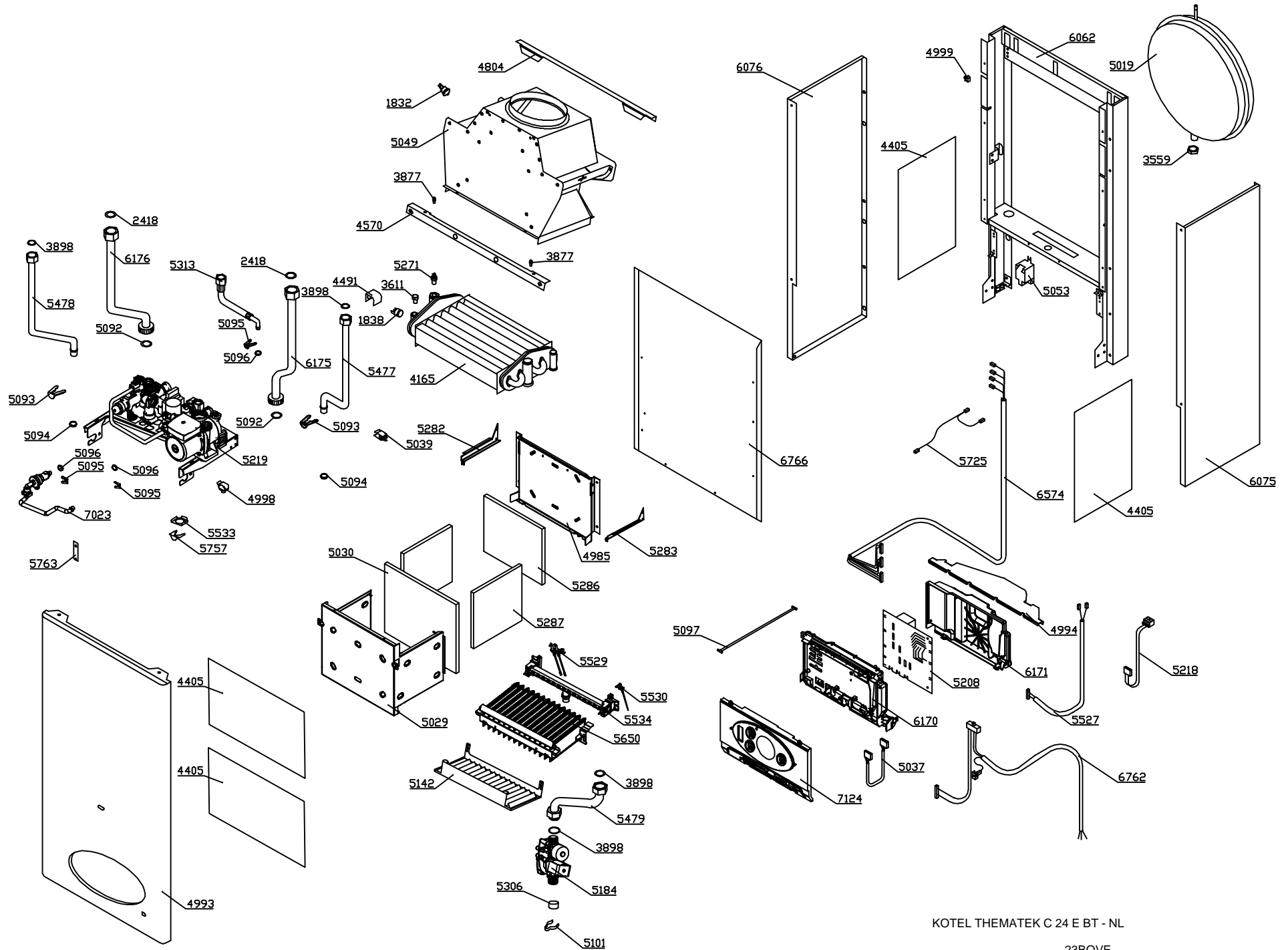
Order No.	Description	Price	Order No.	Description	Price	Order No.	Description	Price
1671	Silicon hose to manostat	2,50 €	5030	Insulation SK 242x290	2,10 €	5374	Label	0,54 €
1838	Thermostat-bim non-revers 95C	1,70 €	5032	Shield D43	0,76 €	5475	Tube HW-inlet	3,50 €
2397	Grommet I 326 14mm	0,87 €	5033	Flue collector-E	7,90 €	5476	Tube HW-outlet	4,20 €
2418	Seal 34x15x2	0,22 €	5034	Delimitation stick - short	0,22 €	5477	Tube DHW-inlet	2,50 €
3559	Matrix 3/8" low	0,54 €	5037	Wire - INTERFACE	1,08 €	5478	Tube DHW-outlet	2,50 €
3611	Plug of hydroblock 1/8"	0,30 €	5039	Sensor	4,60 €	5479	Gas tube	1,70 €
3877	Limiting pin 70004250	0,11 €	5053	Ignitier ZI62/12	3,70 €	5526	Line wire-set 23BTVE UK	13,80 €
3898	O'ring AFM 34 18x10x2	0,11 €	5092	Ring "O" 3,6XD19,8	0,11 €	5527	Line wire-ignitioner UK	2,60 €
4165	Exchanger bither.082.01501	96,90 €	5093	Tube clip TUV E	0,22 €	5529	Ignition electrode DIN	4,90 €
4313	Fan GR01085	25,90 €	5094	Ring "O"3,6D13	0,22 €	5530	Ionisation electrode DIN	3,20 €
4381	Fan sealing J	0,76 €	5095	Tube clip E	0,22 €	5533	Clip of support	0,33 €
4405	Reflex foil -II	0,87 €	5096	Tube seal exp. E	0,11 €	5534	Burner ramp SD 14 ram.1.20DIN	12,40 €
4407	Grommet I 334 12x38	0,76 €	5097	Operation board string	0,22 €	5535	Filling loop-UK	18,10 €
4491	Thermofuse clip	0,22 €	5101	Gas valve clip SD	0,22 €	5650	Burner parts-U	15,10 €
4816	Sea. tape self-stick 10x340x15	0,44 €	5106	PCB "IRIS FAN"	47,60 €	5725	Wire-Q254	0,33 €
4817	Sea. tape self-stick 10x522x15	0,65 €	5184	Gas valve VK 8525 M 1003 B	28,30 €	5757	Clip D 20,2	4,50 €
4985	Combustion chambre base E	5,00 €	5218	Wire	2,30 €	5763	Handle of safety valve	0,22 €
4987	Front cover turbo E	3,00 €	5219	Hydroblok IWC-DIN	115,40 €	5955	Flue system reduction SD	0,98 €
4993	Front cover E	6,50 €	5220	Manostat	10,50 €	6062	Supporting frame univ.	10,40 €
4994	Operation panel strip	0,98 €	5271	Sensor SO 10106	2,60 €	6075	Side cover-R J16	5,20 €
4995	Self adh.seal tape 15X218X10	0,44 €	5282	Exchanger holder L	0,98 €	6076	Side cover-L J16	5,20 €
4996	Self adh.seal tape 15X488X10	0,76 €	5283	Exchanger holder R	0,98 €	6170	El.box-125891	2,20 €
4998	Wire fitting	0,11 €	5286	Insulation SK 270X215	1,90 €	6171	El.box cover-123003	1,90 €
4999	Wire fitting	0,11 €	5287	Insulation of com.cham.167x189	0,98 €	6762	Wire net-inlet v.2	
5005	Gasket with glass	1,20 €	5306	Gas valve DIAFRAM. 5,65	0,22 €	6765	Turbo chambre base E DIN v.2	
5019	Expansion vessel 5L-W	20,80 €	5313	Distance frame exp.tube - T	3,30 €	7124	User interface 23BXVE	20,60 €
5029	Combustion chamber cover-front	1,90 €	5329	Manostat holder - HC	0,54 €			



23BTVE

23BOVE - RENOVA STAR

Order No.	Description	Price	Order No.	Description	Price	Order No.	Description	Price
1832	Thermostat bim. revers. 80 C	2,40 €	5053	Ignitier ZI62/12	3,70 €	5527	Line wire-ignitioner UK	2,60 €
1838	Thermostat-bim non-revers 95C	1,70 €	5092	Ring "O" 3,6XD19,8	0,11 €	5529	Ignition electrode DIN	4,90 €
2418	Seal 34x15x2	0,10 €	5093	Tube clip TUV E	0,22 €	5530	Ionisation electrode DIN	3,20 €
3559	Matrix 3/8" low	0,54 €	5094	Ring "O"3,6D13	0,22 €	5533	Clip of support	0,33 €
3611	Plug of hydroblock 1/8"	0,65 €	5095	Tube clip E	0,22 €	5534	Burner ramp SD 14 ram.1.20DIN	12,40 €
3877	Limiting pin 70004250	0,11 €	5096	Tube seal exp. E	0,11 €	5650	Burner parts-U	15,10 €
3898	O'ring AFM 34 18x10x2	0,10 €	5097	Operation board string	0,22 €	5725	Wire-Q254	0,33 €
4165	Exchanger bither.082.01501	96,90 €	5101	Gas valve clip SD	0,22 €	5757	Clip D 20,2	0,22 €
4405	Reflex foil -II	0,87 €	5142	Thermoreflector E	1,80 €	5763	Handle of safety valve	0,22 €
4491	Thermofuse clip	0,22 €	5184	Gas valve VK 8525 M 1003 B	28,30 €	6062	Supporting frame univ.	10,40 €
4570	Side holder	0,87 €	5208	PCP "IRIS ATMOS"	53,00 €	6075	Side cover-R J16	5,20 €
4804	Combustion breaker holder J	0,87 €	5218	Wire	2,30 €	6076	Side cover-L J16	5,20 €
4985	Combustion chambre base E	5,00 €	5219	Hydroblok IWC-DIN	115,40 €	6170	El.box-125891	2,20 €
4993	Front cover E	6,50 €	5271	Sensor SO 10106	2,60 €	6171	El.box cover-123003	1,90 €
4994	Operation panel strip	0,98 €	5282	Exchanger holder L	0,98 €	6175	Tube HW-inlet EDK	3,30 €
4998	Wire fitting	0,11 €	5283	Exchanger holder R	0,98 €	6176	Tube HW-outlet EDF	3,80 €
4999	Wire fitting	0,11 €	5286	Insulation SK 270X215	1,90 €	6574	Line wire-set 23BOVEUK	11,40 €
5019	Expansion vessel 5L-W	20,80 €	5287	Insulation of com.cham.167x189	0,98 €	6762	Wire net-inlet v.2	
5029	Combustion chamber cover-front	1,90 €	5306	Gas valve diafram. 5,65	0,22 €	6766	Base 23BOVE v.2	
5030	Insulation SK 242x290	2,10 €	5313	Distance FRAME EXP.TUBE - T	3,30 €	7023	Filling loop-DINSV	
5037	Wire - Interface	1,08 €	5477	Tube DHW-inlet	2,50 €	7124	User interface 23BXVE	20,60 €
5039	Sensor	4,60 €	5478	Tube DHW-outlet	2,50 €			
5049	Draft hood D126 BOVE	18,20 €	5479	Gas tube	1,70 €			



KOTEL THEMATEK C 24 E BT - NL

23BOVE

Hydroblock IWC - DIN (5219)

Order No.	Description	pcs	Price per 1pcs.
6070	Valve	1	3,80 €
6621	Return valve-plastic	1	5,80 €
6560	Pump head 5m HHD	1	74,70 €
6865	O ring - by pass (S5421500)	1	0,22 €
6866	O ring 18mm (S5465800)	1	0,44 €
6867	O ring 13mm (S5466400)	1	0,44 €
6868	O ring - pump (S5466500)	2	0,54 €
6869	O ring 20mm (S5484000)	6	0,65 €
6870	O ring 10mm (S5466100)	7	0,33 €
6871	Air valve (S1005600)	1	12,10 €
6872	Drain valve (S1006300)	1	7,10 €
6873	Safety valve (S1006700)	1	13,70 €

Order No.	Description	pcs	Price per 1pcs.
6874	Flow sensor HSW (S5720200)	1	22,90 €
4314	Pressure sensor VERGNE 121110	1	16,50 €
6876	Tube Z (S1020600)	1	9,40 €
6877	BY-PASS (S5261700)	1	7,40 €
6878	Filter HW (S1005400)	1	5,60 €
6879	Filter DHW (S1006900)	1	7,80 €
6880	Filling valve tubing(S1006800)	1	4,40 €
6881	Clip D20mm-pipe HW(S5455000)	6	0,65 €
6882	Clip D18mm-valve s.(S5465700)	2	0,87 €
6883	Clip D10mm (S5466200)	7	0,76 €
6884	Clip BY-PASS (S5490900)	1	0,54 €

23 BXVE - RENOVA STAR - first aid stock

9.2.2004

Order No.	Description	stock	price	Order No.	Description	stock	price	Order No.	Description	stock	price
1671	Silicon hose to manostat		1,63 €	5030	Insulation SK 242x290		1,37 €	5374	PROTHERM label		0,35 €
1838	Thermostat-bim non-revers 95C	5	1,11 €	5032	Shield D43		0,49 €	5475	Tube HW-inlet		2,28 €
2397	Grommet I 326 14mm		0,57 €	5033	Flue collector-E		5,14 €	5476	Tube HW-outlet		2,73 €
2418	Seal 34x15x2	20	0,14 €	5034	Delimitation stick - short		0,14 €	5477	Tube DHW-inlet		1,63 €
3559	Matrix 3/8" low		0,35 €	5037	Wire - INTERFACE		0,70 €	5478	Tube DHW-outlet		1,63 €
3611	Plug of hydroblock 1/8"		0,42 €	5039	Sensor	5	2,99 €	5479	Gas tube		1,11 €
3877	Limiting pin 70004250		0,07 €	5053	Ignitier ZI62/12	2	2,41 €	5526	Line wire-set 23BTVE UK		8,97 €
3898	O'ring AFM 34 18x10x2	20	0,07 €	5092	Ring "O" 3,6XD19,8	20	0,07 €	5527	Line wire-ignitioner UK		1,69 €
4165	Exchanger bither.082.01501	5	62,99 €	5093	Tube clip TUV E		0,14 €	5529	Ignition electrode DIN	5	3,19 €
4313	Fan GR01085	5	16,84 €	5094	Ring "O"3,6D13	20	0,14 €	5530	Ionisation electrode DIN	5	2,08 €
4381	Fan sealing J	5	0,49 €	5095	Tube clip E		0,14 €	5533	Clip of support		0,21 €
4405	Reflex foil -II		0,57 €	5096	Tube seal exp. E	20	0,07 €	5534	Burner ramp SD 14 ram.1.20DIN	2	8,06 €
4407	Grommet I 334 12x38		0,49 €	5097	Operation board string		0,14 €	5535	Filling loop-UK		11,77 €
4491	Thermofuse clip		0,14 €	5101	Gas valve clip SD		0,14 €	5650	Burner parts-U	2	9,82 €
4816	Sea. tape self-stick 10x340x15		0,29 €	5106	PCB "IRIS FAN"	5	30,94 €	5725	Wire-Q254		0,21 €
4817	Sea. tape self-stick 10x522x15		0,42 €	5184	Gas valve VK 8525 M 1003 B	5	18,40 €	5757	Clip D 20,2		0,14 €
4985	Combustion chambre base E		3,25 €	5218	Wire		1,50 €	5763	Handle of safety valve		0,14 €
4987	Front cover turbo E		1,95 €	5219	Hydroblok IWC-DIN	1	75,01 €	5955	Flue system reduction SD		0,64 €
4993	Front cover E		4,23 €	5220	Manostat	5	6,83 €	6062	Supporting frame univ.		6,76 €
4994	Operation panel strip		0,64 €	5271	Sensor SO 10106	5	1,69 €	6075	Side cover-R J16		3,38 €
4995	Self adh.seal tape 15X218X10		0,29 €	5282	Exchanger holder L		0,64 €	6076	Side cover-L J16		3,38 €
4996	Self adh.seal tape 15X488X10		0,49 €	5283	Exchanger holder R		0,64 €	6170	El.box-125891		1,43 €
4998	Wire fitting		0,07 €	5286	Insulation SK 270X215		1,24 €	6171	El.box cover-123003		1,24 €
4999	Wire fitting		0,07 €	5287	Insulation of com.cham.167x189		0,64 €	6762	Wire net-inlet v.2		
5005	Gasket with glass		0,78 €	5306	Gas valve DIAFRAM. 5,65	5	0,14 €	6765	Turbo chambre base E DIN v.2		
5019	Expansion vessel 5L-W	3	13,52 €	5313	Distance frame exp.tube - T		2,15 €	7023	Filling loop-DINSV	5	
5029	Combustion chamber cover-front		1,24 €	5329	Manostat holder - HC		0,35 €	7124	User interface 23BXVE	5	13,39 €