

# WESTEN



# PULSAR

## SPARE PARTS LIST

- May 2005 -

# WESTEN

## HOW TO READ THE SPARE PARTS CATALOGUE

In the spare part catalogue, after the exploded diagrams, there are the components lists of the boilers; this is the meaning of the different columns:

<b>Pos.</b>	Identification number of the component in the exploded diagram of the boiler.
<b>Description</b>	Short description of the component.
<b>Code</b>	BAXI S.p.A. code of the component.
<b>Tab. XX</b>	XX is the exploded diagram number of the boiler taken into consideration.
<b>From serial number</b>	Date (year and week) identifying the beginning of production of a component (taken from the serial number of the boiler). e.g. <b>B005: year 2000</b> (B identifies the decade 2000-2009; 0 identifies the year) – <b>5<sup>th</sup> week</b> . If the box is empty, the component is in use from the beginning of production of the boiler.
<b>To serial number</b>	Date (year and week) identifying the end of production of a component (taken from the serial number of the boiler). e.g. <b>B012: year 2000</b> (B identifies the decade 2000-2009; 0 identifies the year) – <b>12<sup>th</sup> week</b> . If the box is empty, the component is still in use.
<b>Interchangeable</b>	It identifies the interchangeability between the new component and the old one.  YES: components are interchangeable. NO: components are <u>not</u> interchangeable.

### 3.1.1 Note

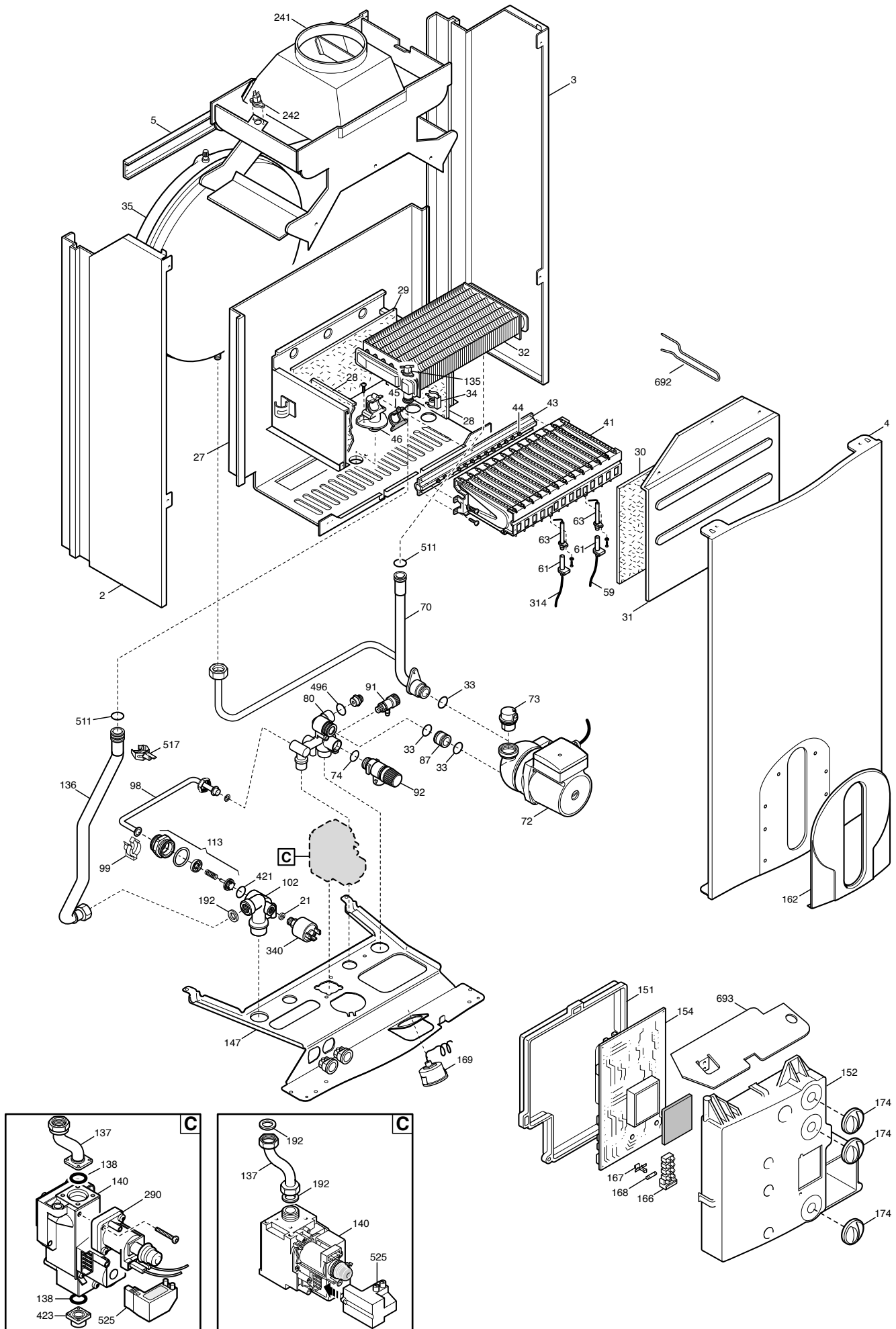
Every model of boiler is available in the version working with Natural Gas or in the version working with LPG.

The boiler's code (composed of a prefix CWB and 9 numbers) identifies the version as follows:

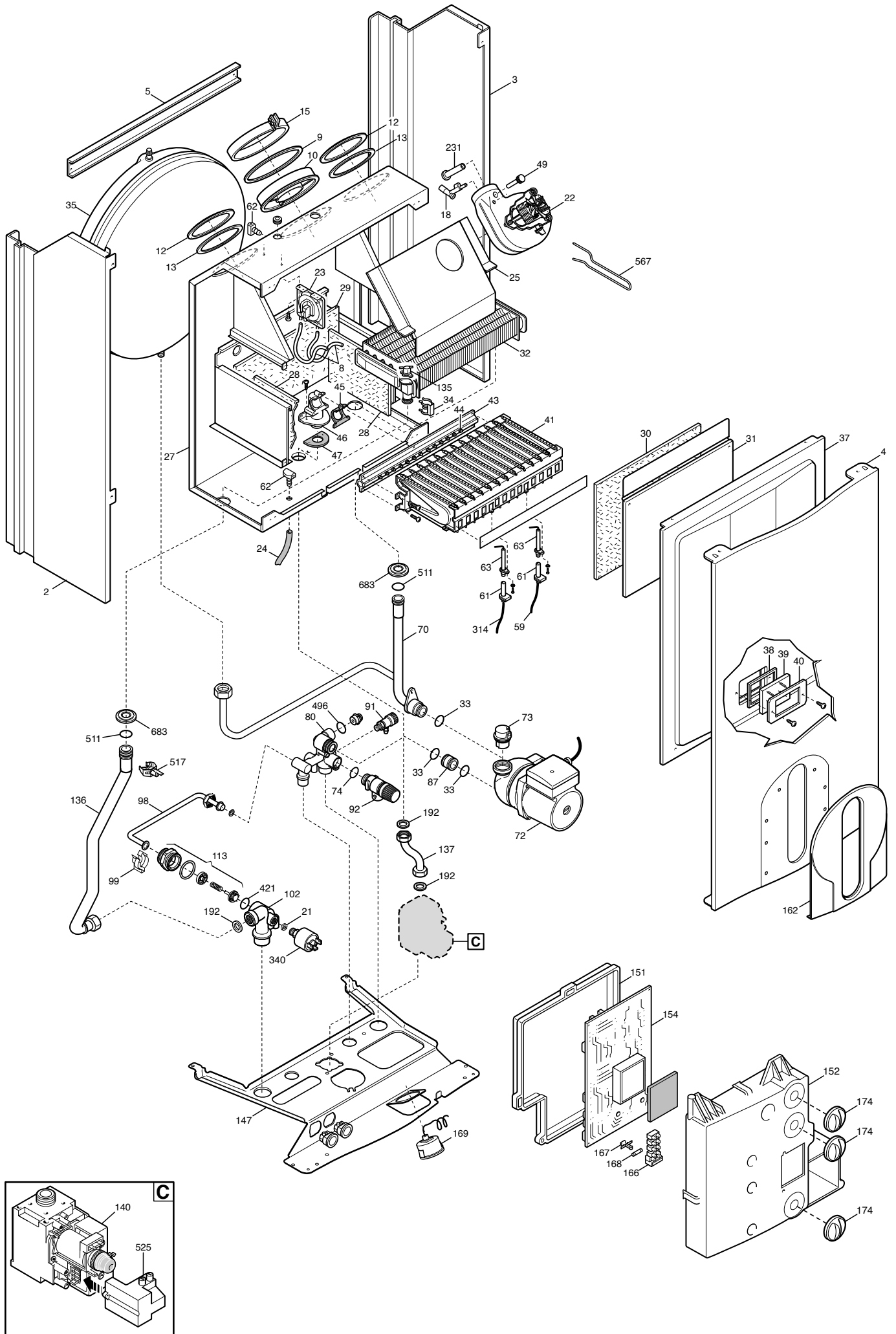
6<sup>th</sup> number = 1: LPG version

6<sup>th</sup> number = 3: Natural Gas version

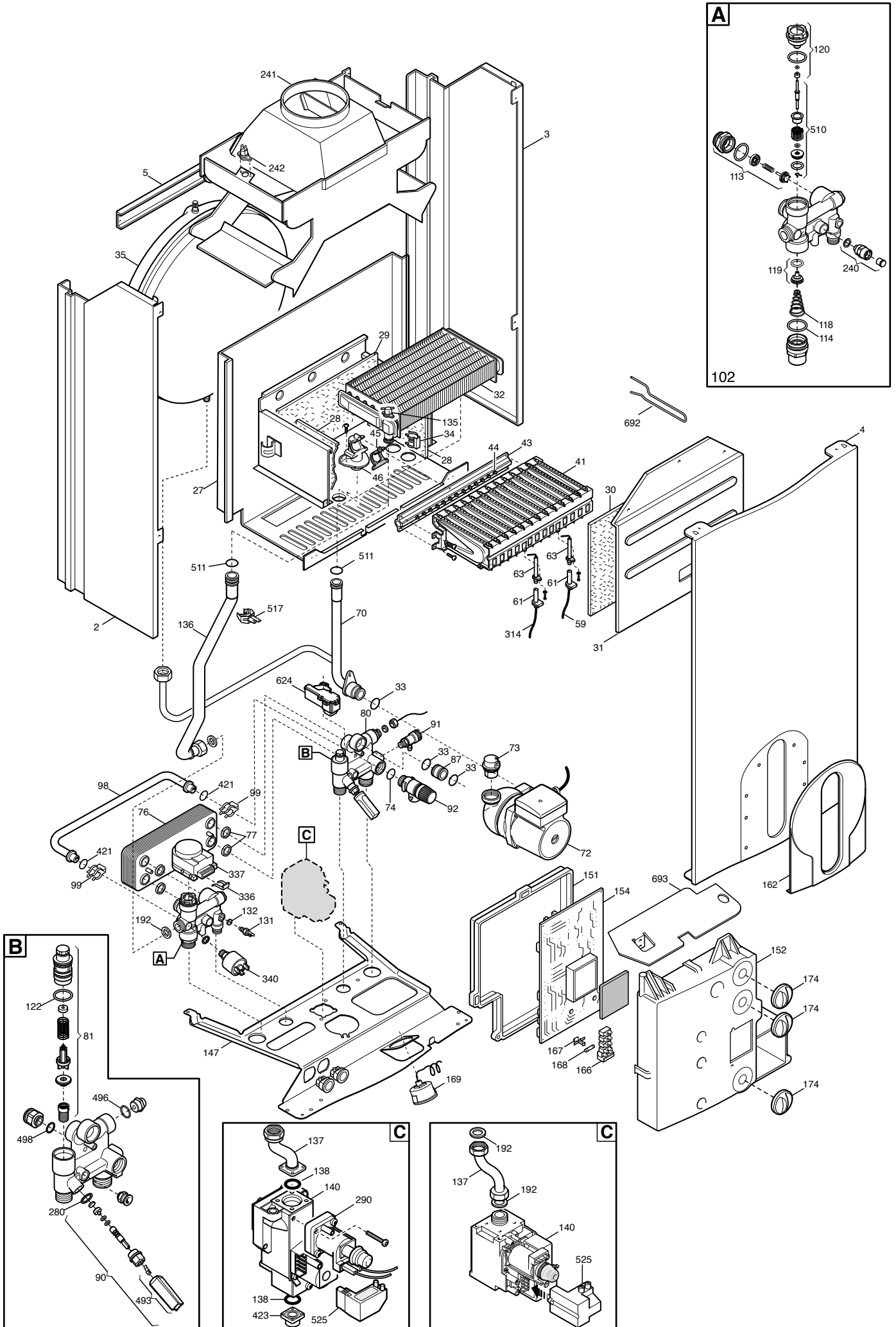
**TAB 01 PULSAR 1.240 i**



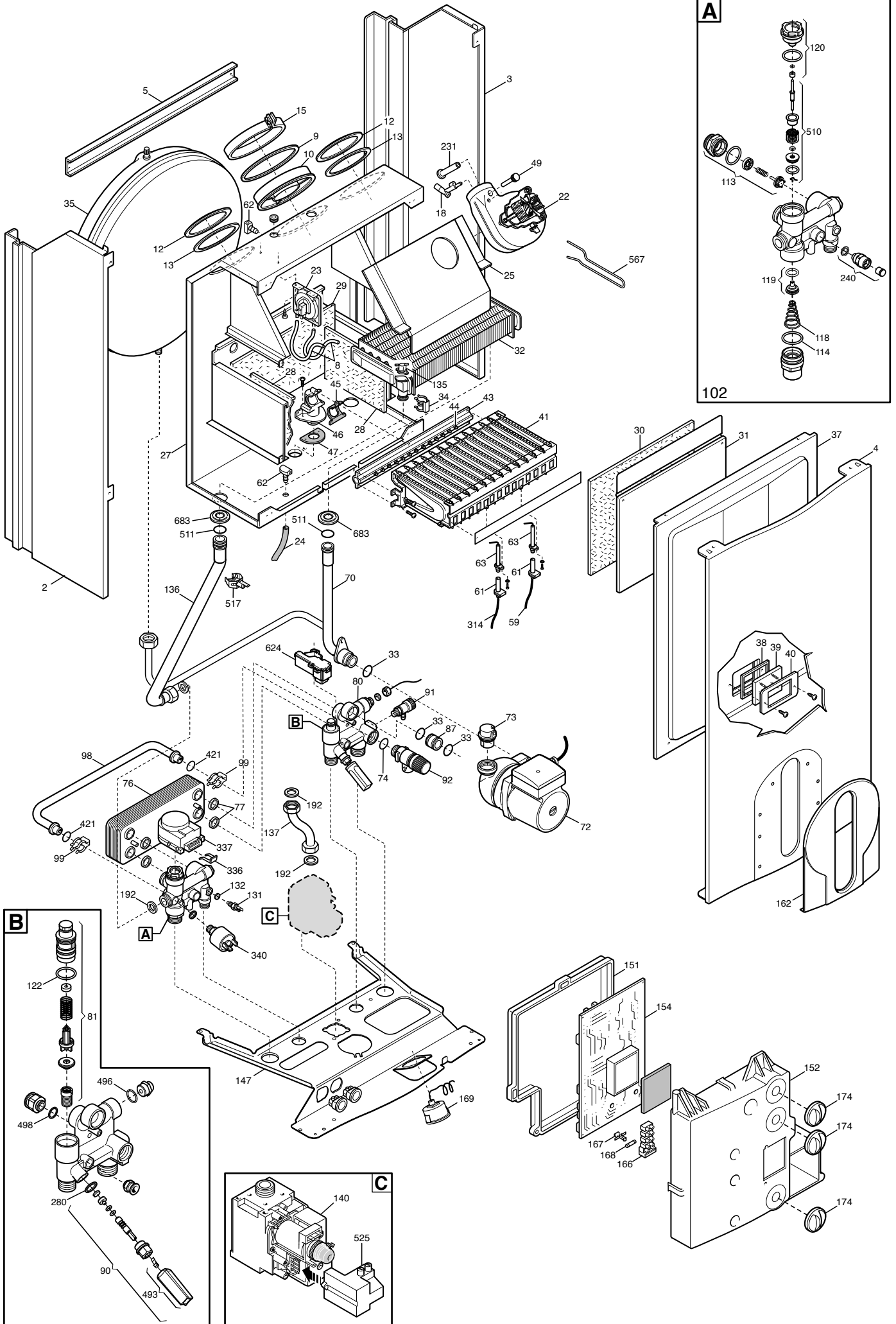
# TAB 02 PULSAR 1.240 Fi



TAB. 03 PULSAR 240 i



TAB. 04 PULSAR 240 Fi



# PULSAR

CYH441243980 - PULSAR 1,240i  
 CYH445243980 - PULSAR 1,240 Fi  
 CYH442243980 - PULSAR 1,240 Fi  
 CYH446243980 - PULSAR 240 Fi

1/5/05

X=1->LPG / X=3->NATURAL GAS

Pos	Description	Code	Tab. 01	Tab. 02	Tab. 03	Tab. 04	From serial number	To serial number	Inter-changeable	Note
2	LEFT PANEL ASSEMBLY	5677560	•		•					
2	LEFT PANEL ASSEMBLY	5677580		•		•				
3	RIGH PANEL ASSEMBLY	5677550	•		•					
3	RIGH PANEL ASSEMBLY	5677570		•		•				
4	PULSAR FRONTAL PANEL	5115460	•	•	•	•				
5	FRONTAL TRAVERSE	5113790	•	•	•	•				
8	AIR PRESSURE SWITCH PIPE L=270	5408080		•		•				
9	SUCTION RESTRICTOR D.80	5108700		•		•				
10	COAXIAL FLUE GASKET	5409450		•		•				
12	SUCTION CAP	5108690		•		•				
13	SUCTION CAP GASKET	5407400		•		•				
15	JOINT ASSEMBLY D. 100 L=20 (with screws)	5664050		•		•				
18	FLUE PLASTIC VENTURI	5409580		•		•				
21	GASKET 6,1X12X1,5 WRC	5402050	•	•	•	•				
22	FAN 1 SPEED	5663810		•		•				
23	FAN PRESSURE SWITCH	5640000		•		•				
24	COMPENSATION PIPE L=130	5407930		•		•				
25	CONVEYOR	5113800		•		•				
27	COMBUSTION CHAMBER ASSEMBLY	5676830		•		•				
27	COMBUSTION CHAMBER ASSEMBLY	5677210	•		•					
28	LATERAL INSULATING PANEL	5213210		•		•				
28	LATERAL INSULATING PANEL	5213220	•		•					
29	REAR INSULATING PANEL	5213280	•	•	•	•				
30	FRONTAL INSULATING PANEL (FF)	5213370		•		•				
30	FRONTAL INSULATING PANEL (FF)	5213380	•		•					
31	COMB. CHAMBER PANEL	5113820		•		•				
31	COMB. CHAMBER PANEL	5114290	•		•					
32	PRIMARY EXCHANGER WITH CLIPS	5677660	•	•	•	•				
33	O-RING 22X3 EPDM	5403130	•	•	•	•				
34	CLIPS FOR PRIMARY EXCHANGER	5113650	•	•	•	•				
35	EXPANSION VESSEL 8L	5663880		•		•				
35	EXPANSION VESSEL 7L	5668370	•		•					
37	SEALED CHAMBER FRONT PANEL	5663830		•		•				
38	PILOT SIGHT GLASS GASKET	5401610		•		•				
39	PILOT SIGHT GLASS	5203930		•		•				
40	PILOT SIGHT FRAME	5103360		•		•				
41	BURNER ASSEMBLY (13 ELEMENTS)	5663710	•	•	•	•				
43	GAS RAMP WITH INJECTORS (N.G. D.1,28)	612960		•		•				
43	GAS RAMP WITH INJECTORS (N.G. D.1,18)	615260	•		•					
44	NATURAL GAS INJECTORS KIT	5666400		•		•				
44	NATURAL GAS INJECTORS KIT	5669460	•		•					
45	GAS RAMP GASKET	5407940	•	•	•	•				
46	GAS RAMP CONNECTING FLANGE	5211030	•	•	•	•				
47	GASKET (GAS RAMP/SEALED CHAMBER)	5404760		•		•				
49	HOSE ADAPTER CAP	5409520		•		•				
59	IGNITION ELECTRODE CABLE	8419050	•	•	•	•				
61	ELECTRODE PROTECTION CAP	5407830	•	•	•	•				

# PULSAR

CYH441243980 - PULSAR 1,240i  
 CYH445243980 - PULSAR 1,240 Fi  
 CYH442243980 - PULSAR 1,240 Fi  
 CYH446243980 - PULSAR 240i

1/5/05

X=1->LPG / X=3->NATURAL GAS

Pos	Description	Code	Tab. 01	Tab. 02	Tab. 03	Tab. 04	From serial number	To serial number	Inter-changeable	Note
62	SEALED CHAMBER HOSE ADAPTER	5409570		•		•				
63	IGNITION ELECTRODE	8422570	•	•	•	•				
70	PIPE ASSEMBLY (PUMP/EXCHANGER)	5676860		•		•				
70	PIPE ASSEMBLY (PUMP/EXCHANGER)	5677270	•		•					
72	PUMP UP 15-50 AO (GRUNDFOS)	5661200	•	•	•	•				
73	AIR VENT VALVE WITH O-RING (CALEFFI)	607290	•	•	•	•				
74	OR 14X1,78 EP	5406360	•	•	•	•				
76	HEAT EXCHANGER-DHW(10 PLATES) ALFA LAVAL	5653650			•	•				
77	GASKET-PLATE HEAT EXCHANGER	5404520			•	•				
80	HYDRAULIC INLET GROUP	5676890			•	•				
80	HYDRAULIC INLET ASSEMBLY	5655650	•	•						
81	FILTER VENTURI AND PADDLE ASSEMBLY	619050			•	•				
87	PUMP CONNECTING ELEMENT	5210710			•	•				
90	FILLING TAP ASSEMBLY	611930			•	•				
91	DRAINING TAP	5652030	•	•	•	•				
92	HYDRAULIC SAFETY VALVE WITH O.R. -3 bar-	5653690	•	•	•	•				
98	BY-PASS PIPE ASSEMBLY	5212890			•	•				
98	BY-PASS PIPE ASSEMBLY	5672770	•	•						
99	CLIP - FIXING - BYPASS	8380850	•	•	•	•				
102	3 WAY VALVE ASSEMBLY	5676910	•	•	•	•				
113	HYDRAULIC OUTLET / BY-PASS ASSEMBLY	617100	•	•	•	•				
114	O-RING 26,64x2,62 EP -50-	5403820			•	•				
118	CONIC SPRING	8380520			•	•				
119	HEATING PLATE ASSEMBLY	605760			•	•				
120	SANITARY PLUG ASSEMBLY	600750	•	•	•	•				
122	O-RING 23,47X2,62 E.P. -49-	5405370			•	•				
131	NTC SENSOR	8434820			•	•				
132	NTC SENSOR GASKET	5402830	•	•	•	•				
135	LIMIT THERMOSTAT 105°C	9951610	•	•	•	•				
136	PIPE ASSEMBLY (3 WAY VALVE/EXCHANGER)	5676870		•		•				
136	PIPE ASSEMBLY (3 WAY VALVE/EXCHANGER)	5677260	•		•					
137	GAS PIPE - FF (SIT)	5676970		•		•				
137	GAS PIPE - ATM (SIT)	5677010	•		•					
137	GAS PIPE - FF (HONEYWELL)	5676930		•		•				
137	GAS PIPE - ATM (HONEYWELL)	5677250	•		•					
138	O-RING 22,22X2,62	5402010	•	•	•	•				
140	GAS VALVE (SIT 845063 SIGMA)	5658830	•	•	•	•				
140	GAS VALVE (HONEYWELL VK4105M 5033)	5665220	•		•					
147	CONNECTION TRAVERSE	5676130	•	•	•	•				
151	ELECTRIC BOX REAR COVER	5409550	•	•	•	•				
152	PRINTED CONTROL PANEL	5677530	•	•	•	•				
154	P.C.B. (BERTELLI)	5676960	•	•	•	•				
162	PANEL PLATE - PULSAR	5677540	•	•	•	•				
166	TERMINAL BLOCK	8421590	•	•	•	•				
167	FUSE HOLDER	5405340	•	•	•	•				
168	FUSE (2A-250V)	9950580	•	•	•	•				
169	MANOMETER D.40 -T&G	9951330	•	•	•	•				



# PULSAR

CYH441243980 - PULSAR 1,240i  
 CYH445243980 - PULSAR 1,240 Fi  
 CYH442243980 - PULSAR 1,240 Fi  
 CYH446243980 - PULSAR 240i

1/5/05

X=1->LPG / X=3->NATURAL GAS

Pos	Description	Code	Tab. 01	Tab. 02	Tab. 03	Tab. 04	From serial number	To serial number	Inter-changeable	Note
174	KNOB	5409750	•	•	•	•				
192	GASKET G 3/4 17X24X2 WRC	5404650	•	•	•	•				
231	FLUE INTAKE	5409480		•		•				
240	RETAINING VALVE	618480			•	•				
241	DRAUGHT DIVERTER ASSEMBLY	5668420	•		•					
242	FLUE SAFETY THERMOSTAT 70°C	616160	•		•					
280	GASKET 14,2X18X1,5 AL -18-	5207730			•	•				
290	MODULATOR ASSEMBLY -VK4105M-	5665230	•		•					
314	FLAME SENSING ELECTRODE CABLE	8418870	•	•	•	•				
336	MOTOR FIXING SPRING	8380680			•	•				
337	ELBI MOTOR	5647340			•	•				
340	SAFETY CH PRESSURE SWITCH	5663750	•	•	•	•				
421	O-RING 11,91X2,62 NBR	5408270	•	•	•	•				
423	GAS VALVE CONNECTION	5210410	•		•					
493	KNOB ASSEMBLY	612130			•	•				
496	O-RING 2062	400020			•	•				
498	O-RING 2056	400030			•	•				
510	DHW PADDLE ASSEMBLY	600760	•	•	•	•				
511	O-RING 17,86X2,62	5404600	•	•	•	•				
517	NTC SENSOR (ITS)	8435360	•	•	•	•				
525	SAC CONNECTOR	8511800	•	•	•	•				
525	ANSTOSS CONNECTOR	8511790	•		•					
624	HALL EFFECT SENSOR	8435280			•	•				
683	GASKET (PIPE/SEALED CHAMBER)	5408810		•		•				
692	PRIMARY EXCHANGER CLIPS	5114360	•	•	•	•				
693	PRINTED CONTROL PANEL PROTECTION	5114350	•		•					
9999	POWER SUPPLY WIRING	8511770				•				
9999	POWER SUPPLY WIRING	8511880	•		•					
9999	LOW VOLTAGE COMP. WIRING	8511780				•				
9999	LOW VOLTAGE COMP. WIRING	8511940		•						
9999	LOW VOLTAGE COMP. WIRING	8511850			•					
9999	LOW VOLTAGE COMP. WIRING	8511910	•							
9999	EARTH WIRING - SIT	8419080	•	•	•	•				
9999	TIMER CONNECTOR	8418860	•	•	•	•				
9999	3 WAY VALVE WIRING	8511810	•	•	•	•				
9999	PUMP/FUN WIRING	8511820		•		•				
9999	MODULATOR/NTC SANITARY SENSOR WIRING	8511830				•				
9999	MODULATOR/NTC SANITARY SENSOR WIRING	8511950		•						
9999	MODULATOR WIRING	8511920	•							
9999	NTC HEAT. SENSOR/AIR PRESSURE SWITCH/LIMIT TH. WIRING	8511840				•				
9999	NTC HEAT. SENSOR/AIR PRESSURE SWITCH/LIMIT TH. WIRING	8511960		•						
9999	NTC HEAT. SENSOR/H2O PRESS./AIR TH./LIMIT TH. WIRING	8511930	•							
9999	POWER SUPPLY CABLE	8414620	•	•	•	•				



**WESTEN**

**BAXI S.p.A.**  
**Via Trozzetti, 20**  
**36061 BASSANO DEL GRAPPA (VI) ITALY**  
**Tel. +390424517111 Telefax +390424517379**  
**Web site: [www.baxi.it](http://www.baxi.it) e-mail: [service@baxi.it](mailto:service@baxi.it)**